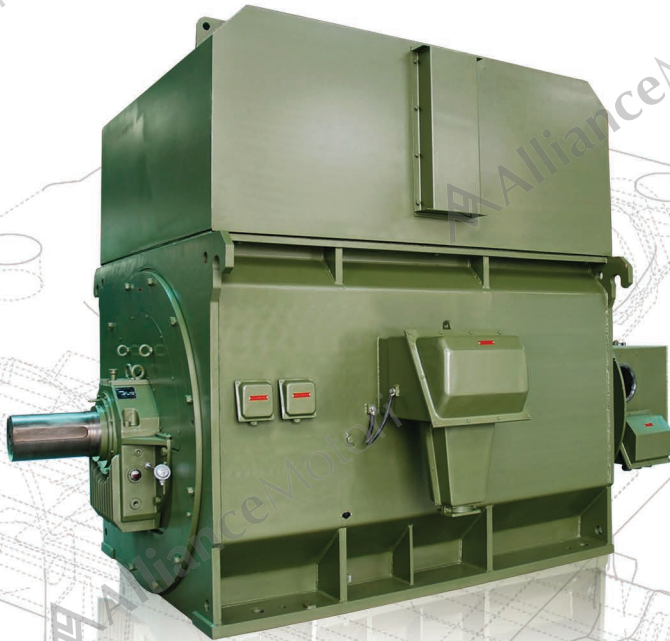


A-YRKK Series

■ SLIP RING MOTOR





APPLICATIONS

- Crushers & Sugar Cane Shredder
- Compressor
- Rubber Mixer
- Coal Mill And Rolling Mill
- Centrifugal Machines
- Lathe
- Hoist

KEY SPECIFICATIONS

Output Power	15 - 12500 kW
Frame	160 to 1200
Voltage	380V to 11000V
Rated Speed	500 - 3000 RPM
Optional	PT100 & Space Heater Liquid Resistance Starter Oil Bath Lubrication For Slide Bearing

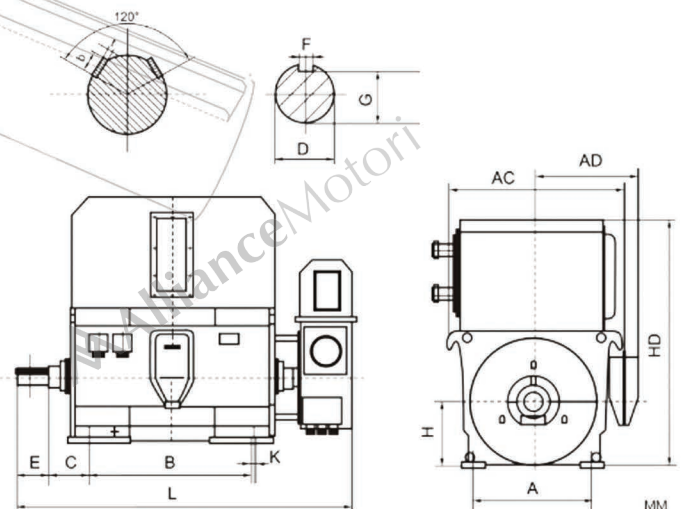
KEY CHARACTERISTICS

High moment of inertia
 High capacity to dynamic loads
 Rugged construction
 High vibration resistance
 Excellent commutation quality
 Class F VPI Insulations
 Wave Winding Rotor
 Oversize Roller Bearing & Slid Bearing
 Commutator Located Outside Motor Frame

Totally Enclosed, Self-cooling.	IP44, IC410
Drip-proof, force ventilated with build-on blower.	IP23S, IC06
Drip-proof, single pipe ventilated.	IP23S, IC17
Totally Enclosed, Double pipes Ventilated.	IP44, IC37
Drip-proof, self-ventilated.	IP23S, IC01

STANDARD

Mounting Dimension Comply With GB755
 Performance In Accordance With IEC34-1 / DIN57530 / GB755



Note. Data May Change Without Notice

Summarize

YR,YRKK,YRKS Series 10000V slip ring voltage three phase asynchronous motor (H450-630mm). 6000V slip ring high voltage three phase asynchronous motor (H450-630mm) are general series product which our company recently promoted, its structure is reasonable, with advanced techniques, high efficiency, low noise, slight vibrates, reliable performance, easy installation and convenient maintenance, which is the ideal drive for variety of industrial fields.

Frame Advantages:

The electric motor power rank, mounting dimensions and electric specification all confirm to national standards GB755 and the IEC standard.

- The electric motor uses the box type structure, its seats uses welded steel plate with light weight and good rigidity.
- The YR series uses natural ventilation cooling, protection cap has been fixed on the top of the seats which is disassembled conveniently, with the advantage for the electric motor service.
- YRKK series is totally enclosed type with air cooler at the top of motor.
- The stator winding uses F class heat-reasting insulation material, the ends bind reliably, have the good insulation material, the mechanical strength after the VPI procedure.
- The rotor uses wave winding the bearing has two types rolling bearing and sliding bearing, depends on rotary speed and power of the motor.

YR and the derivation series product, commutator located outside of the motor frame, with the same cooling type as motor body it self.

Appliaction

Our electric motor could be widely used to drive all variety of general machinery, for example, compressor, water pump, air blower, breaker, cuts the engine bed, transport machinery and other mechanical devices, it could be used to make the prime mover in the mine, mechanical industry, power plant and other kinds of industry and mining enterprises. Please instruct when ordering the motor uses in driving air blower, coal mill, steel rolling mill and hoist.

Standard motor specification

Voltage: 10000V, 6000V, 50Hz

Protection Class: YR series is IP23 (IP44 is available if uses pipeline to ventilate) YRKK, YRKS series is IP44 or IP54.

Insulation Class: F

Working style S1 (continously)

Cooling method: YR Series is IC01 (or IC11, IC21, IC31) YRKK series is IC611 YRKS series is IC81W

Mounting type: IMB3

Connecion: Y (star type, three connections in terminal box, terminal box is located at the right side of the motor frame viewing from the shaft extension end)

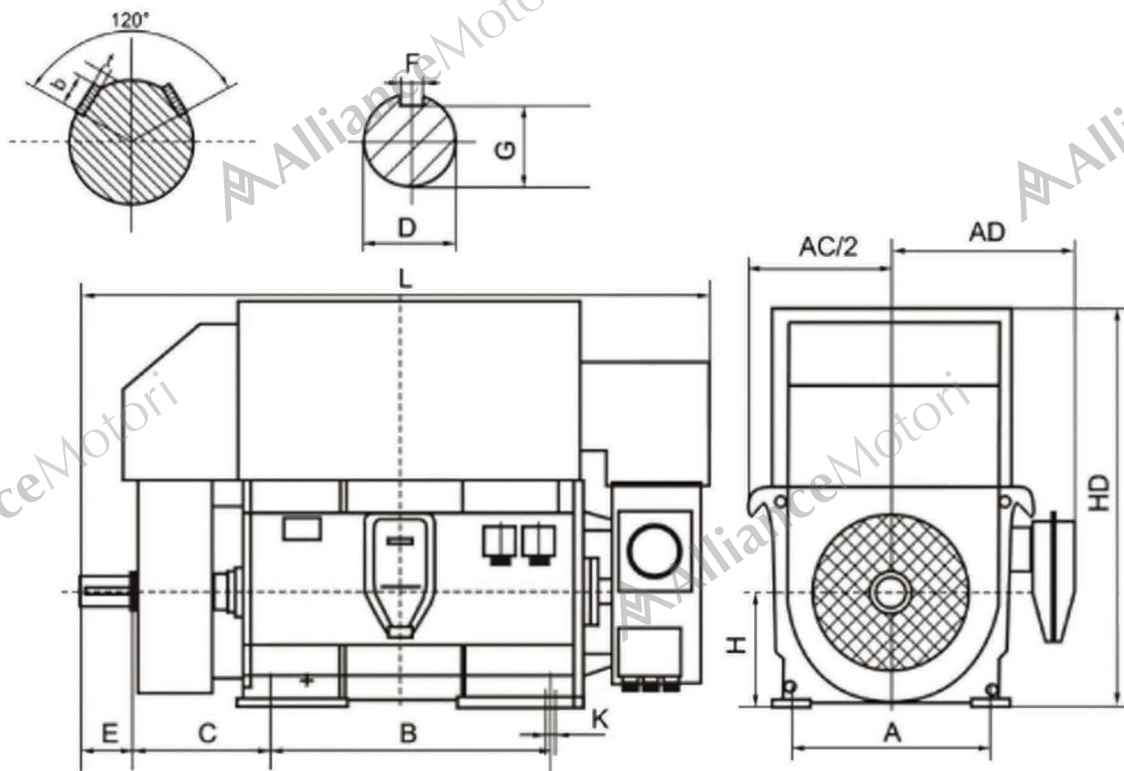
Use environment

- Sea level no more than 1000 meters
- Ambient temperature: No more than 40 degree without heavy dust, the lowest ambient temperature is -15C if uses rolling bearing 5C if uses sliding bearing.
- Without corrosive and explosive gas in the air (humid tropics or plateau area electric motor is also available.)

A-YRKK Series

SLIP RING MOTOR

A-YRKK series 10KV IP44/54 (H450-630mm) IMB3 outline and mounting dimensions tablet.



Frame	No. of poles	Mounting dimensions										Outline dimensions				
		A	B	C	D	E	F	G	t	b	H	K	AC	AD	HD	L
450	4	800	1120	670	110	210	28	109			450	35	1420	1100	1900	3000
	119															
500	4	900	1250	710	120	250	32	119			500	42	1600	1150	2200	3250
	6-10				130			128								
560	4	1000	1400	800	150	300			11.4	39.7	560		1800	1250	2400	3850
	6-12		1600 ¹⁾		160				42.8							
630	4	1120	1600	900	170	300			12.4	44.2	630	48	2000	1300	2700	4100
	6-12		1800 ²⁾		180					45.6						

1) 1400 is the data which commutator puts outside of the bearing, 1600 is the data which commutator puts inside of the bearing.
 2) 1600 is the data which commutator puts outside of the bearing, 1800 is the data which commutator puts inside of the bearing.
 3) When uses the sliding bearing, C dimension deviation does not include axial flee movement.
 Note: All dimensions are only for references, when the ordering pls takes the final outline motor drawings which manufacturer provides.

Note. Data May Change Without Notice

A-YRKK series slip ring high voltage three phase asynchronous motor (H450-630mm) 10000V IP44/54 technical specification.

Model	Output(kw)	Synchronous Speed(r/min)	Rated Current(A)	Efficiency (%)	Power Factor (COS ϕ)	Rotor open circuit voltage(V)	Rotor rated current	Max. torque multiple	Weight(kg)		
A-YRKK4501-4	250	1500	19.0	91.5	0.83			1.8			
A-YRKK4502-4	280		21.2	91.8							
A-YRKK4503-4	315		23.8	92.1							
A-YRKK4504-4	355		26.8	92.3							
A-YRKK4505-4	400		30.0	92.6							
A-YRKK4506-4	450		33.7	92.8							
A-YRKK5001-4	500			36.9	93.2	0.84					
A-YRKK5002-4	560			41.1	93.6						
A-YRKK5003-4	630			46.2	93.7						
A-YRKK5004-4	710			52.0	93.8						
A-YRKK5005-4	800			58.6	93.9						
A-YRKK5601-4	900			65.0	94.1	0.85					
A-YRKK5602-4	1000			72.1	94.2						
A-YRKK5603-4	1120			80.7	94.3						
A-YRKK6301-4	1250			88.9	94.4	0.86					
A-YRKK6302-4	1400			99.5	94.5						
A-YRKK6303-4	1600		113.5	94.6							
A-YRKK4504-6	250	1000	20.0	91.4	0.79			1.8			
A-YRKK4505-6	280		22.3	91.6							
A-YRKK4506-6	315		25.1	91.8							
A-YRKK5001-6	355			27.8	92.0	0.80					
A-YRKK5002-6	400			31.3	92.2						
A-YRKK5003-6	500			39.0	92.6						
A-YRKK5004-6	560			43.6	92.8						
A-YRKK5601-6	630			47.7	93.0	0.82					
A-YRKK5602-6	710			53.6	93.2						
A-YRKK5603-6	800			60.2	93.5						
A-YRKK5604-6	900			67.6	93.7						
A-YRKK5605-6	1000			73.2	93.9	0.84					
A-YRKK6301-6	1120			81.8	94.1						
A-YRKK6302-6	1250			91.1	94.3						
A-YRKK5002-8	250		750	21.3	91.4	0.74				1.8	
A-YRKK5003-8	280			23.9	91.5						
A-YRKK5004-8	315	26.8		91.7							
A-YRKK5005-8	355	30.1		91.9							
A-YRKK5006-8	400			33.9	92.1	0.75					
A-YRKK5601-8	450			37.5	92.3						
A-YRKK5602-8	500			41.6	92.5						

A-YRKK Series

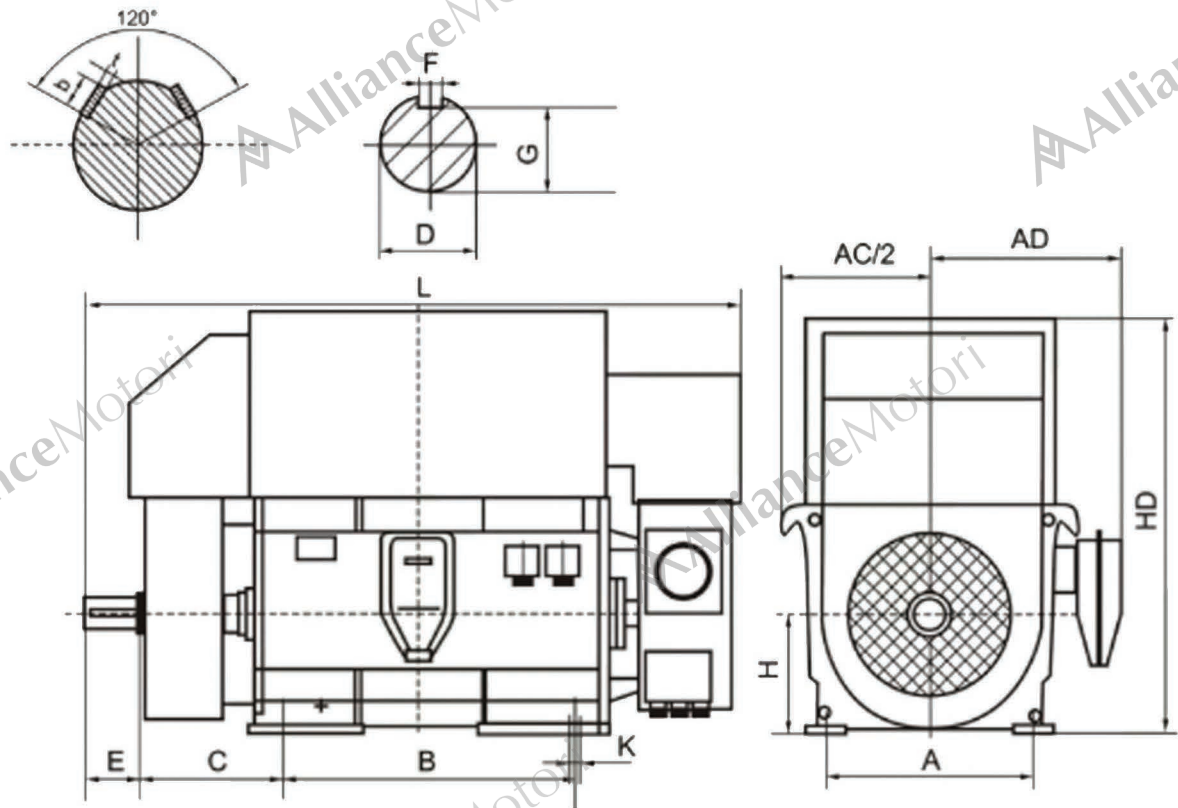
SLIP RING MOTOR

A-YRKK series slip ring high voltage three phase asynchronous motor (H450-630mm) 10000V IP44/54 technical specification.

Model	Output(kw)	Synchronous Speed(r/min)	Rated Current(A)	Efficiency (%)	Power Factor(COSΦ)	Rotor open circuit voltage(V)	Rotor rated current	Max. torque multiple	Weight(kg)	
A-YRKK5603-8	560	750	40.9	93.0	0.78			1.8		
A-YRKK5604-8	630		45.9	93.2						
A-YRKK6301-8	710		51.6	93.4	0.80					
A-YRKK6302-8	800		58.1	93.6						
A-YRKK6303-8	900		64.4	93.8						
A-YRKK5005-10	250	600	22.4	90.9	0.71			1.8		
A-YRKK5006-10	280		25.0	91.2						
A-YRKK5601-10	315		27.2	91.6	0.73					
A-YRKK5602-10	355		30.6	91.7						
A-YRKK5603-10	400		34.4	91.9						
A-YRKK5604-10	450		38.6	92.3						
A-YRKK5605-10	500		42.7	92.5						
A-YRKK6301-10	560		46.5	92.6	0.75				1.8	
A-YRKK6302-10	630		52.2	92.9						
A-YRKK6303-10	710		58.6	93.2						
A-YRKK6304-10	800	66	93.3							
A-YRKK5602-12	250	500	22.4	90.8	0.71			1.8		
A-YRKK5603-12	280		25.0	91.0						
A-YRKK5604-12	315		28.1	91.1						
A-YRKK5605-12	355		31.7	91.2						
A-YRKK6301-12	400		34.6	91.5		0.73				1.8
A-YRKK6302-12	450		38.8	91.8						
A-YRKK6303-12	500		43.0	92.0						
A-YRKK6304-12	560		47.9	92.4						

Note. Data May Change Without Notice

A-YRKK series 10KV IP4/54 (H355-630mm) IMB3 outline and mounting dimensions tablet



Frame	No. of poles	Mounting dimensions										Outline dimensions				
		A	B	C	D	E	F	G	t	b	H	K	AC	AD	HD	L
355	4	630	900	560	100	210	28	90			355	28	1120	1000	1500	2550
400	6-8	710	1000	630	110			100			400	35	1260	1050	1700	2750
450	4	800	1120	670	120	32	109		450	1420	1100					
	6-12						130	119								
500	4	900	1250	710	130	250	36			500	42	1600	1150	2200	3250	
	6-12															140
560	4	1000	1400	800	150	300		11.4	39.7	560	48	1800	1250	2400	3850	
	6-12				160				42.8							
630	4	1120	1600	900	170	300		12.4	44.6	630	48	2000	1300	2700	4100	
	6-12				180				45.6							

1) 1400 is the data which commutator puts outside of the bearing, 1600 is the data which commutator puts inside of the bearing.
 2) 1600 is the data which commutator puts outside of the bearing, 1800 is the data which commutator puts inside of the bearing.
 3) When uses the sliding bearing, C dimension deviation does not include axial flee movement.
 Note: All dimensions are only for references, when the ordering pls takes the final outline motor drawings which manufacturer provides.

A-YRKK Series

SLIP RING MOTOR

A-YRKK series slip ring high voltage three phase asynchronous motor (H355-630mm) 6000V IP44/54 technical specification

Model	Output(kw)	Synchronous Speed(r/min)	Rated Current(A)	Efficiency (%)	Power Factor (COS Φ)	Rotor open circuit voltage(V)	Rotor rated current	Max. torque multiple	Weight(kg)
A-YRKK3551-4	185	1500	23.3	92.0	0.83			1.8	
A-YRKK3552-4	200		25.1	92.2					
A-YRKK3553-4	220		27.6	92.4					
A-YRKK4001-4	250			30.9	92.7	0.84		1.8	
A-YRKK4002-4	280		34.6	92.8					
A-YRKK4003-4	315		38.8	92.9					
A-YRKK4004-4	355		43.7	93.0					
A-YRKK4005-4	400		49.2	93.2					
A-YRKK4001-6	185			23.6	91.9		0.82		
A-YRKK4002-6	200	1000	25.5	92.1					
A-YRKK4003-6	220		28.0	92.3					
A-YRKK4004-6	250		31.7	92.5					
A-YRKK4005-6	280		35.5	92.6					
A-YRKK4001-8	185		750	24.9	91.8	0.78		1.8	
A-YRKK4002-8	200	26.8		92.0					
A-YRKK4501-4	450	1500	54.5	93.4	0.85		1.8		
A-YRKK4502-4	500		60.5	93.6					
A-YRKK4503-4	560		67.5	93.9					
A-YRKK4504-4	630		75.7	94.2					
A-YRKK4501-6	315	1000	39.4	92.8	0.83		1.8		
A-YRKK4502-6	355		44.3	93.0					
A-YRKK4503-6	400		49.7	93.3					
A-YRKK4504-6	450		55.9	93.4					
A-YRKK4501-8	220	750	29.1	92.2	0.79		1.8		
A-YRKK4502-8	250		33.0	92.3					
A-YRKK4503-8	280		36.9	92.5					
A-YRKK4504-8	315		41.0	93.6					
A-YRKK4501-10	185	600	26.1	90.9	0.75		1.8		
A-YRKK4502-10	200		28.2	91.1					
A-YRKK4503-10	220		30.9	91.3					
A-YRKK4504-10	250		35.1	91.5					
A-YRKK4503-12	185	500	28.1	90.6	0.70		1.8		
A-YRKK4504-12	200		30.3	90.8					
A-YRKK5001-4	710	1500	84.2	94.3	0.86		1.8		
A-YRKK5002-4	800		94.8	94.4					

Note. Data May Change Without Notice

A-YRKK series slip ring high voltage three phase asynchronous motor (H355-630mm) 6000V IP44/54 technical specification

Model	Output(kw)	Synchronous Speed(r/min)	Rated Current(A)	Efficiency (%)	Power Factor (COS ϕ)	Rotor open circuit voltage(V)	Rotor rated current	Max. torque multiple	Weight(kg)
A-YRKK5003-4	900	1500	106.6	94.5	0.86			1.8	
A-YRKK5004-4	1000		118.3	94.6					
A-YRKK5001-6	500	1000	61.2	93.6	0.84			1.8	
A-YRKK5002-6	560		68.4	93.8					
A-YRKK5003-6	630		76.7	94.1					
A-YRKK5004-6	710		86.3	94.3					
A-YRKK5001-8	355	750	46.0	92.7	0.80			1.8	
A-YRKK5002-8	400		51.7	93.0					
A-YRKK5003-8	450		58.1	93.1					
A-YRKK5004-8	500		64.3	93.5					
A-YRKK5001-10	280	600	38.6	91.8	0.76			1.8	
A-YRKK5002-10	315		43.4	91.9					
A-YRKK5003-10	355		48.8	92.1					
A-YRKK5004-10	400		54.6	92.8					
A-YRKK5001-12	220	500	32.3	91.0	0.72			1.8	
A-YRKK5002-12	250		36.6	91.3					
A-YRKK5003-12	280		40.8	91.7					
A-YRKK5004-12	315		45.8	92.0					
A-YRKK5602-4	1120	1500	130.8	94.7	0.87			1.8	
A-YRKK5603-4	1250		145.8	94.8					
A-YRKK5604-4	1400		163.2	94.9					
A-YRKK5604-6	800	1000	95.8	94.5	0.85			1.8	
A-YRKK5603-6	900		107.7	94.6					
A-YRKK5604-6	1000		119.4	94.8					
A-YRKK5601-8	560	750	71.0	93.7	0.81			1.8	
A-YRKK5602-8	630		79.7	93.9					
A-YRKK5603-8	710		89.7	94.0					
A-YRKK5604-8	800		100.9	94.2					
A-YRKK5601-10	450	600	60.4	93.1	0.77			1.8	
A-YRKK5602-10	500		67.0	93.3					
A-YRKK5603-10	560		74.8	93.5					
A-YRKK5604-10	630		84.1	93.6					
A-YRKK5602-12	355	500	50.8	92.1	0.73			1.8	
A-YRKK5603-12	400		57.1	92.3					
A-YRKK5604-12	450		64.1	92.5					
A-YRKK6301-4	1600	1500	186.3	95.0	0.87			1.8	
A-YRKK6302-4	1800		209.4	95.1					
A-YRKK6303-4	2000		232.4	95.2					



www.alliancemotori.com

Authorized Dealer

The information provided in this catalogue contains descriptions or characteristics of performance which in case of actual use do not always apply as described or which may change as a result of further development of the products. An obligation to provide the respective characteristics shall only exist if expressly agreed in the terms of contract. Availability and technical specifications are subject to change without notice.