

Medium/High Voltage Motor - Y



APPLICATIONS

- Compressor
- Rubber Mixer
- Fans and Pumps
- Air Blower
- Coal Mill and Rolling Mill
- Conveyor Belts
- Centrifugal Machines
- Lathe

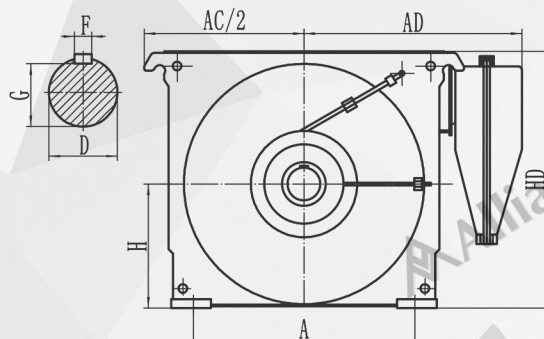
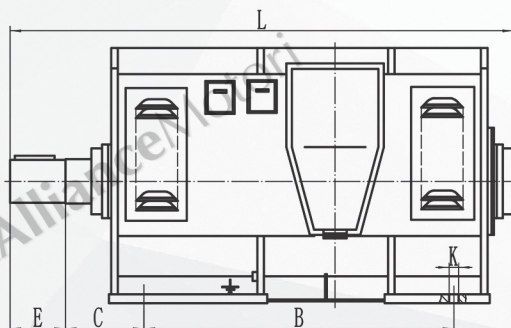
KEY CHARACTERISTICS

VFD Control Enabled
 NEMA Premium Efficiency Level
 High Moment of Inertia
 High Capacity to Dynamic Loads
 Rugged Construction
 High Vibration Resistance
 Cast Aluminium Squirrel Cage for Rotor

| | |
|--|-------------|
| Totally Enclosed, Self-cooling. | IP44, IC410 |
| Drip-proof, force ventilated with build-on blower. | IP23S, IC06 |
| Drip-proof, single pipe ventilated. | IP23S, IC17 |
| Totally Enclosed, Double pipes Ventilated. | IP44, IC37 |
| Drip-proof, self-ventilated. | IP23S, IC01 |

STANDARD

Mounting Dimension Comply With GB755
 Performance In Accordance With IEC34-1 / DIN57530 / GB755



KEY SPECIFICATIONS

| | |
|--------------|--|
| Output Power | 15 - 12500 kW |
| Frame | 160 to 1200 |
| Voltage | 380V to 11000V |
| Rated Speed | 500 - 3000 RPM |
| Optional | PT100 & Space Heater Oil Bath Lubrication for Slide Bearing |



 www.alliancemotori.com