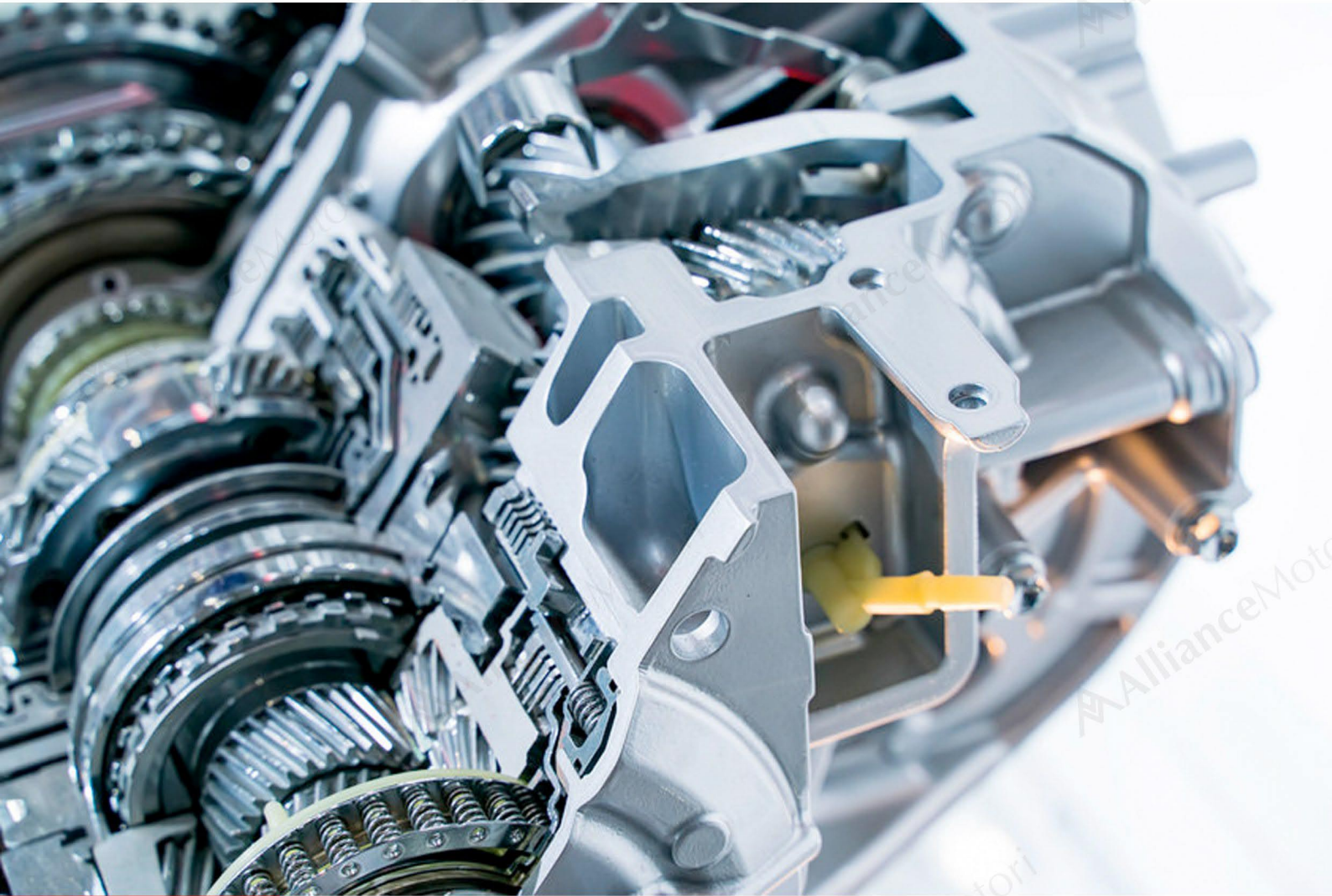
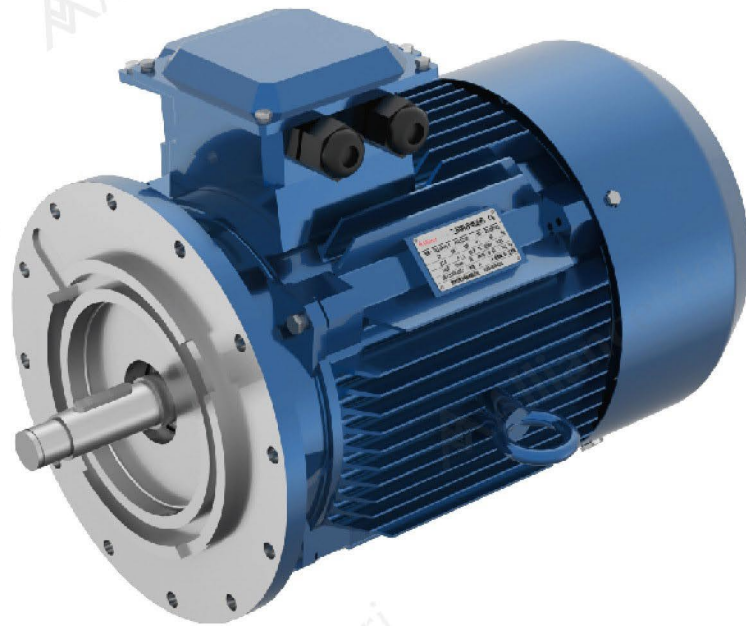


AllianceMotori  
**YXB X/B**



YXB X/B SERIES THREE - PHASE ASYNCHRONOUS MOTOR FOR CYCLOID REDUCER



MOTOR MODEL MEANING

YXB 112 M - 4 - 4KW - B1

- Flange  
B09:φ140 B0:φ168 B1:φ200  
B2: φ240 B3:φ300 B4:φ340  
B5: φ400
- Power
- Pole  
(S-Small M-Medium L-Large)
- Center height
- YXB motor for cycloid reducer

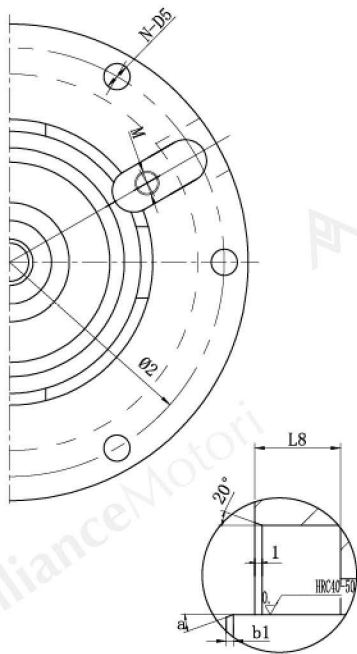
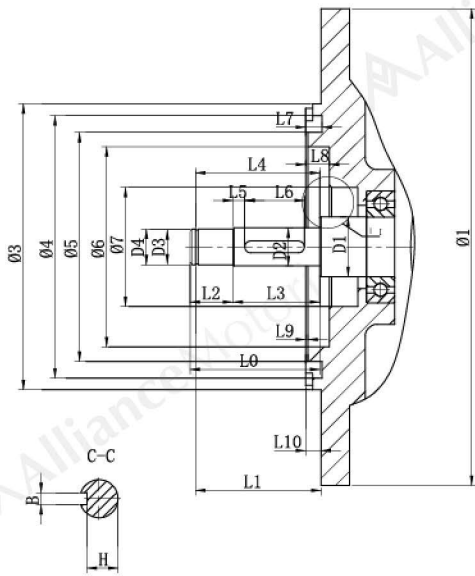
## WORKING CONDITIONS

- A) Ambient temperature:  $-15^{\circ}\text{C}\sim 40^{\circ}\text{C}$
- B) Altitude: not more than 1200m
- C) Voltage: 380V(400V, 415V, 220/440V, 220-240/380-420V, etc.)
- D) Frequency: 50Hz(or 60Hz as required);
- E) Optional accessories: encoder, rainproof wind hood, thermistor, thermal protector, etc

## PRODUCT FEATURES

- 1) Special modular flange structure design, beautiful and novel appearance, easy to install;
- 2) The motor adopts thermal grade 155 (F) insulation system. Thus extend the service life of the motor;
- 3) The motor working system is S1, the cooling mode is IC411, and the enclosure protection class is IP54 or IP55;
- 4) Excellent starting performance;
- 5) Low temperature rise, high reliability, high efficiency, energy saving, safety and environmental protection

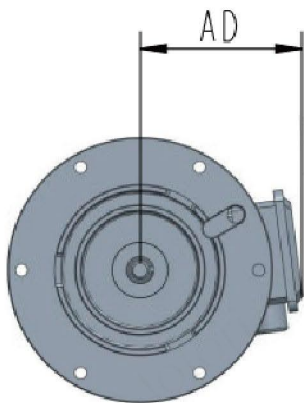
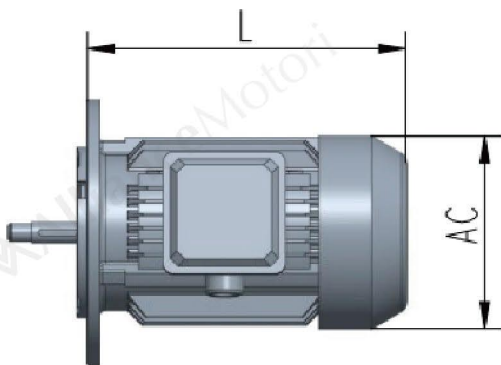
## PARAMETERS



Stand No.	Flange											
	Ø1	Ø2	Ø3	Ø4	Ø5	Ø6	L7	L8	L9	L10	N-D5	
63	B09	140	125	85	/	/	54	/	11	/	7.2	6-Ø7
71	B0	168	150	105	95	78	70	7	9	1	6.5	6-Ø9
	B1	200	180	120	110	96	84	7	10	1	6.5	6-Ø11
80	B0	168	150	105	95	78	70	7	9	1	6.5	6-Ø9
	B1	200	180	120	110	96	84	7	10	1	6.5	6-Ø11
	B2	240	215	155	143	118	106	8	11	2.5	9	6-Ø11
90	B0	168	150	105	95	78	70	7	9	1	6.5	6-M8
	B1	200	180	120	110	96	84	7	10	1	6.5	6-Ø11
	B2	240	215	155	143	118	106	8	11	2.5	9	6-Ø11
	B3	300	270	190	175	150	135	10	16	2.5	12	6-Ø11
100	B1	200	180	120	110	96	84	7	10	1	6.5	6-M10
	B2	240	215	155	143	118	106	8	11	2.5	9	6-Ø11
	B3	300	270	190	175	150	135	10	16	2.5	12	6-Ø11
	B4	340	315	230	210	185	165	10	18	2.2	12	12-Ø13
112	B2	240	215	155	143	118	106	8	11	2.5	9	6-Ø11
	B3	300	270	190	175	150	135	10	16	2.5	12	6-Ø11
	B4	340	315	230	210	185	165	10	18	2.2	12	12-Ø13
132	B3	300	270	190	175	150	135	10	16	2.5	12	6-Ø11
	B4	340	315	230	210	185	165	10	18	2.2	12	12-Ø13
	B5	400	370	290	270	230	210	10	16	2	14	12-Ø13
160	B4	340	315	230	210	185	165	10	18	2.2	12	12-Ø13
	B5	400	370	290	270	230	210	10	16	2	14	12-Ø13
180	B5	400	370	290	270	230	210	10	16	2	14	12-Ø13

Shaft extension													Guide		Oil seal diameter	Vent (M)
D1	D2	D3	D4	H	B	L1	L2	L3	L4	L5	L6	L0			φ7	
15	12	11.5	12	9.5	4	48.6	/	/	51.1	18	25	53.5	0.5	20°	φ35	/
15	12	11.5	12	9.5	4	48.6	/	/	51.1	18	25	53.5	0.5	20°	φ35	/
20	16	14.3	15	13	5	52.6	18	36.5	52.1	5	25	/	0.5	20°	φ40	M16×1.5
20	12	11.5	12	9.5	4	48.6	/	/	51.1	18	25	53.5	0.5	20°	φ40	/
20	16	14.3	15	13	5	52.6	18	36.5	52.1	5	25	/	0.5	20°	φ40	M16×1.5
25	20	16.2	17	16.5	6	68.6	22	49	68.1	6	35	/	1.0	20°	φ50	M16×1.5
20	12	11.5	12	9.5	4	48.6	/	/	51.1	18	25	53.5	0.5	20°	φ40	/
20	16	14.3	15	13	5	52.6	18	36.5	52.1	5	25	/	0.5	20°	φ40	M16×1.5
25	20	16.2	17	16.5	6	68.6	22	49	68.1	6	35	/	1.0	20°	φ50	M16×1.5
30	25	23.9	25	21.0	8	84.3	/	/	84.3	32	40	88	1.0	20°	φ50	M16×1.5
25	16	14.3	15	13	5	52.6	18	36.5	52.1	5	25	/	0.5	20°	φ50	M10×1.0
30	20	16.2	17	16.5	6	68.6	22	49	68.1	6	35	/	1.0	20°	φ50	M16×1.5
30	25	23.9	25	21.0	8	84.3	/	/	84.3	32	40	88	1.0	20°	φ50	M16×1.5
40	35	28.6	30	30.0	10	99.3	29	77	102.3	13	50	/	1.0	20°	φ65	M22×1.5
30	20	16.2	17	16.5	6	68.6	22	49	68.1	6	35	/	1.0	20°	φ50	M10×1.0
30	25	23.9	25	21.0	8	84.3	/	/	84.3	32	40	88	1.0	20°	φ50	M16×1.5
40	35	28.6	30	30.0	10	99.3	29	77	102.3	13	50	/	1.0	20°	φ65	M22×1.5
30	25	23.9	25	21.0	8	84.3	/	/	84.3	32	40	88	1.0	20°	φ50	M16×1.5
40	35	28.6	30	30.0	10	99.3	29	77	102.3	13	50	/	1.0	20°	φ65	M22×1.5
50	45	33	35	39.5	14	106.7	32	83	110.7	15	55	/	1.0	20°	φ72	M22×1.5
40	35	28.6	30	30.0	10	99.3	29	77	102.3	13	50	/	1.0	20°	φ65	M16×1.5
50	45	33	35	39.5	14	106.7	32	83	110.7	15	55	/	1.0	20°	φ72	M22×1.5
50	45	33	35	39.5	14	106.7	32	83	110.7	15	55	/	1.0	20°	φ72	M22×1.5

## 71-180 OUTLINE DIMENSIONS OF CYCLOIDAL MOTOR



Stand No.	Long shaft YE2 motor		
	AC	AD	L
63-B09	120	100	210
71-B09	140	110	224
71M-0#	140	110	224
71M-1#	140	110	225
80M-0#-0.55kW	160	145	259
80M-0#-0.75kW	160	145	259
80M-1#-0.55kW	160	145	260
80M-1#-0.75kW	160	145	260
80M-2#-0.55kW	160	145	259
80M-2#-0.75kW	160	145	259
90S-0#	180	165	280
90S-1#	180	165	280
90S-2#	180	165	290
90S-3#	180	165	280
90L-0#	180	165	305
90L-1#	180	165	305
90L-2#	180	165	315
90L-3#	180	165	305
100L1-1#	205	175	325
100L1-2#	205	175	325
100L1-3#	205	175	330
100L1-4#	205	175	335
100L2-1#	205	175	325
100L2-2#	205	175	325
100L2-3#	205	175	330
100L2-4#	205	175	335
112M-2#	225	190	360
112M-3#	225	190	365
112M-4#	225	190	370
132S-3#	265	220	390
132S-4#	265	220	390
132S-5#	265	220	390
132M-3#	265	220	430
132M-4#	265	220	430
132M-5#	265	220	430
160M-4#	330	260	510
160M-5#	330	260	480
160L-4#	330	260	555
160L-5#	330	260	525

Long shaft YE3 motor			Long shaft variable frequency motor			Long shaft brake motor			Long shaft variable frequency brake motor		
AC	AD	L	AC	AD	L	AC	AD	L	AC	AD	L
/	/	/	/	/	/	/	/	/	/	/	/
140	110	224	140	110	299	140	120	289	140	120	355
140	110	224	140	110	294	140	120	289	140	120	355
140	110	225	140	110	300	140	120	290	140	120	350
160	145	259	160	145	329	160	145	314	160	145	375
180	165	275	160	145	329	160	145	314	160	145	375
160	145	260	160	145	335	160	145	315	160	145	375
180	165	280	160	145	335	160	145	315	160	145	375
160	145	259	160	145	335	160	145	315	160	145	375
180	165	289	160	145	335	160	145	315	160	145	375
180	165	305	180	165	341	180	165	345	180	165	422
180	165	305	180	165	341	180	165	345	180	165	422
180	165	315	180	165	351	180	165	355	180	165	432
180	165	305	180	165	341	180	165	345	180	165	422
/	/	/	180	165	366	180	165	370	180	165	447
205	175	325	180	165	366	180	165	370	180	165	447
205	175	325	180	165	376	180	165	380	180	165	457
205	175	330	180	165	366	180	165	370	180	165	447
205	175	325	205	175	390	205	175	385	205	175	470
205	175	325	205	175	390	205	175	385	205	175	470
205	175	330	205	175	395	205	175	390	205	175	475
205	175	335	205	175	400	205	175	395	205	175	480
/	/	/	205	175	390	205	175	385	205	175	470
225	190	360	205	175	390	205	175	385	205	175	470
225	190	365	205	175	395	205	175	390	205	175	475
225	190	370	205	175	400	205	175	395	205	175	480
225	190	420	225	190	415	225	190	435	225	190	490
225	190	425	225	190	420	225	190	435	225	190	495
225	190	430	225	190	425	225	190	440	225	190	500
265	220	430	265	220	455	265	220	467	265	220	547
265	220	430	265	220	455	265	220	467	265	220	547
265	220	430	265	220	455	265	220	467	265	220	547
265	220	468	265	220	495	265	220	507	265	220	587
265	220	468	265	220	495	265	220	507	265	220	587
265	220	468	265	220	495	265	220	507	265	220	587
330	260	510	330	260	584	330	260	591	330	260	740
330	260	480	330	260	554	330	260	561	330	260	710
330	260	555	330	260	629	330	260	636	330	260	785
330	260	525	330	260	599	330	260	606	330	260	755



The company has an experienced technical operation team with more than 30 years of experience in industrial motor design and implementation.