

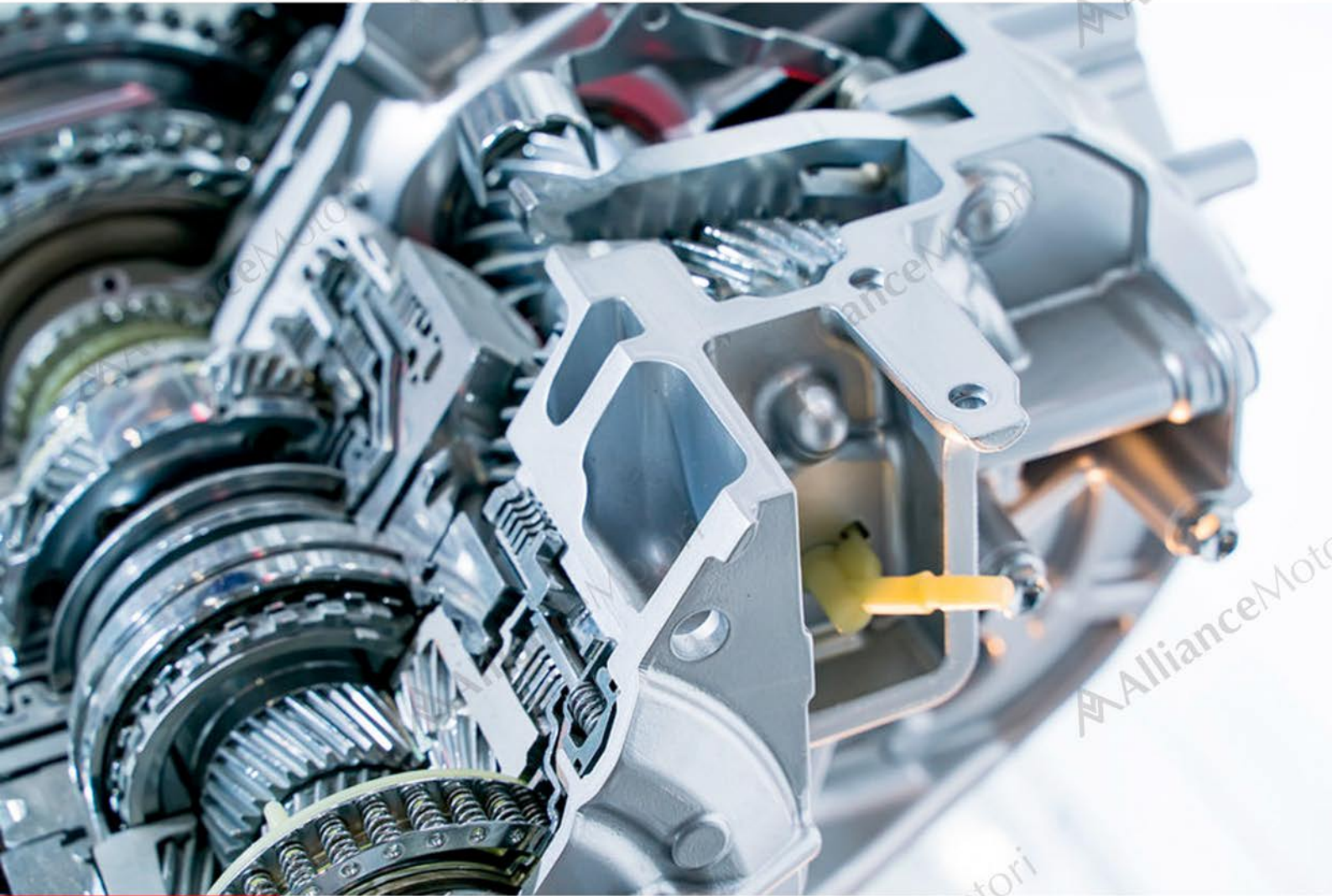
Alliance

Alliance

AllianceMotori

YE2

IE2 IEC-Standard Motor
for Pumps & Gearbox



Alliance

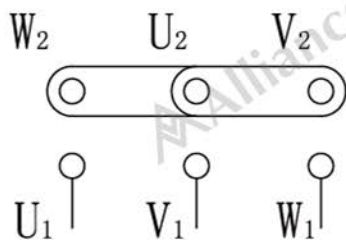
Alliance

Alliance

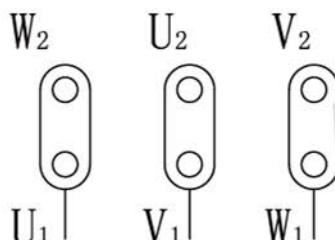
PRODUCT DESCRIPTION

Site conditions	Motors are suitable for most working environment at temperature from -15°C to +40°C and altitude below 1000 meters.
Insulation	The motors' insulation system is set to Class F(105K), examined by Class B(80K), which ensure the life span and reliability of the motors.
Motor protection	Motors can be installed with PTC, PT100 ect. used as winding and bearing temperature measurement on request.
Voltage and frequency	Standard voltage and frequency is 380V 50HZ, and can be set to any single voltage in the range of 200-660V at a frequency of 50 or 60HZ. The motors work well within variations of $\pm 5\%$ from the rated voltage.
Vibration	Motors are designed to vibration class A, vibration class B is available on request.
Duty	Continuous(S1)
Cooling and ventilation	The standard cooling method is totally enclosed fan cooled(TEFC) in accordance with IC411 of IEC60034-6. Standard motors are equipped with auxiliary plastic fans.
Winding	100% Cooper Wire
Protection class	The standard protection class is IP54/IP55, which can be used in humid and dusty environment. Higher degrees of protection is available.
Quality assurance	From the first line of production designing till the finishing procedure, obey ISO9001 documented quality system.

THREE PHASE MOTOR CONNECTING DIAGRAMS

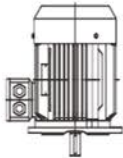
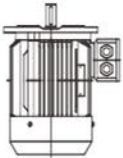
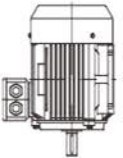
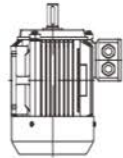
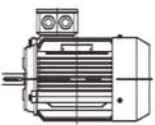
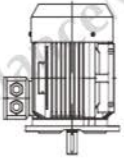

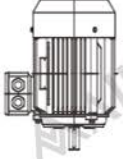
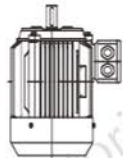
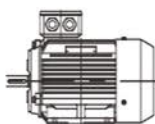
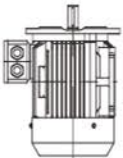
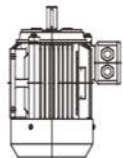
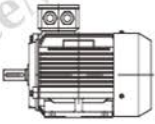
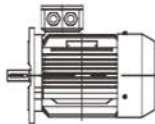


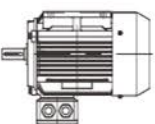
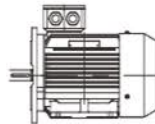


Star Connection



Delta Connection

MOUNTING TYPE

<p>IM V1 IM 3011 63-355</p> 	<p>IM V3 IM 3031 63-160</p> 	<p>IM V5 IM 1011 63-160</p> 	<p>IM V6 IM 1031 63-160</p> 
<p>IM B14 IM 3601 63-132</p> 	<p>IM V15 IM 2011 63-160</p> 	<p>IM V17 IM 2111 63-132</p> 	<p>IM V18 IM 3611 63-132</p> 
<p>IM V19 IM 3631 63-132</p> 	<p>IM B34 IM 2101 63-132</p> 	<p>IM V35 IM 2031 63-160</p> 	<p>IM V37 IM 2131 63-132</p> 
<p>IM B3 IM 1001 63-355</p> 	<p>IM B5 IM 3001 63-280</p> 	<p>IM B6 IM 1051 63-160</p> 	<p>IM B7 IM 1061 63-160</p> 
<p>IM B8 IM 1071 63-160</p> 	<p>IM B35 IM 2001 63-355</p> 	<p>Fundamental arrangement Mounting arrangement Range of manufacture(frame size)</p>	

YE2 SERIES HIGH EFFICIENCY THREE PHASE ASYNCHRONOUS MOTOR



PRODUCT DESCRIPTION

YE2 series three-phase asynchronous motors comply with the three-level energy efficiency standard stipulated in GB18613-2012 Energy Efficiency Limit value and Energy efficiency Grade of Small and Medium-sized Three-phase Asynchronous Motors, and IE2 energy efficiency grade of IEC60034-30-2014 standard. It has the advantages of reasonable structure, beautiful appearance, high efficiency, low noise, high protection level and high insulation level.

Can be widely used in fans, water pumps, machine tools, compressors, transport machinery and other common driving machinery equipment.

PARAMETERS

Model	Rated Power		Rated Speed	Efficiency 100%	Power Factor	Rated Current (A)			Rated Torque (NM)	Ts/Tn	Tmax/Tn	Is/In	Weight kg
	kW	HP				380V	400V	415V					
YE2-631-2	0.18	0.24	2710	60.4	0.8	0.6	0.54	0.52	0.63	2.3	2.2	6.8	4.0
YE2-632-2	0.25	0.34	2710	64.8	0.81	0.7	0.69	0.66	0.88	2.3	2.2	6.8	4.5
YE2-711-2	0.37	0.5	2750	69.5	0.81	1.0	0.95	0.91	1.28	2.3	2.2	6.8	6.5
YE2-712-2	0.55	0.75	2750	74.1	0.82	1.4	1.31	1.26	1.91	2.3	2.2	6.8	7.5
YE2-801-2	0.75	1	2875	77.4	0.82	1.8	1.71	1.64	2.49	2.3	2.3	6.8	15
YE2-802-2	1.1	1.5	2875	79.6	0.83	2.5	2.40	2.32	3.65	2.3	2.3	7.1	17
YE2-90S-2	1.5	2	2890	81.3	0.84	3.3	3.17	3.06	4.96	2.3	2.3	7.3	20
YE2-90L-2	2.2	3	2890	83.2	0.85	4.7	4.49	4.33	7.27	2.3	2.3	7.6	23
YE2-100L-2	3	4	2891	84.6	0.87	6.2	5.88	5.67	9.91	2.2	2.3	7.8	31
YE2-112M-2	4	5.5	2914	85.8	0.88	8.0	7.65	7.37	13.1	2.2	2.3	8.1	38
YE2-132S1-2	5.5	7.5	2937	87.0	0.88	10.9	10.37	9.99	17.9	2.2	2.3	8.2	62
YE2-132S2-2	7.5	10	2940	88.1	0.89	14.5	13.81	13.31	24.4	2.2	2.3	7.8	65
YE2-160M1-2	11	15	2930	89.4	0.89	21.0	19.96	19.23	35.9	2.2	2.3	7.9	102
YE2-160M2-2	15	20	2930	90.3	0.89	28.4	26.94	25.97	48.9	2.2	2.3	7.9	108
YE2-160L-2	18.5	25	2937	90.9	0.89	34.7	33.01	31.81	60.2	2.2	2.3	8	125
YE2-180M-2	22	30	2940	91.3	0.89	41.1	39.08	37.67	71.5	2.2	2.3	8.1	179
YE2-200-L1-2	30	40	2950	92.0	0.89	55.7	52.89	50.97	97.1	2	2.3	7.5	208
YE2-200L2-2	37	50	2950	92.5	0.89	68.3	64.87	62.53	119.8	2	2.3	7.5	220
YE2-225M-2	45	60	2960	92.9	0.89	82.7	78.56	75.72	145.2	2.2	2.3	7.5	322
YE2-250M-2	55	75	2965	93.2	0.89	100.7	95.71	92.25	177.2	2.2	2.3	7.6	401
YE2-280S-2	75	100	2970	93.8	0.89	136.5	129.68	124.99	241.2	1.8	2.3	6.9	533
YE2-280M-2	90	125	2970	94.1	0.89	163.3	155.12	149.51	289.4	1.8	2.3	6.9	567
YE2-315S-2	110	150	2975	94.3	0.90	196.9	187.08	180.32	353.1	1.8	2.3	7	914
YE2-315M-2	132	180	2975	94.6	0.90	235.6	223.79	215.70	423.7	1.8	2.2	7	1029
YE2-315L1-2	160	200	2975	94.8	0.91	281.8	267.71	258.03	513.6	1.8	2.2	7.1	1067
YE2-315L2-2	200	270	2975	95.0	0.91	351.5	333.93	321.86	642	1.8	2.2	7.1	1194
YE2-355M-2	250	340	2980	95.0	0.91	439.4	417.41	402.33	801.2	1.8	2.2	7.1	1597
YE2-355L-2	315	430	2980	95.0	0.91	553.6	525.94	506.93	1009.5	1.8	2.2	7.2	1702

PARAMETERS

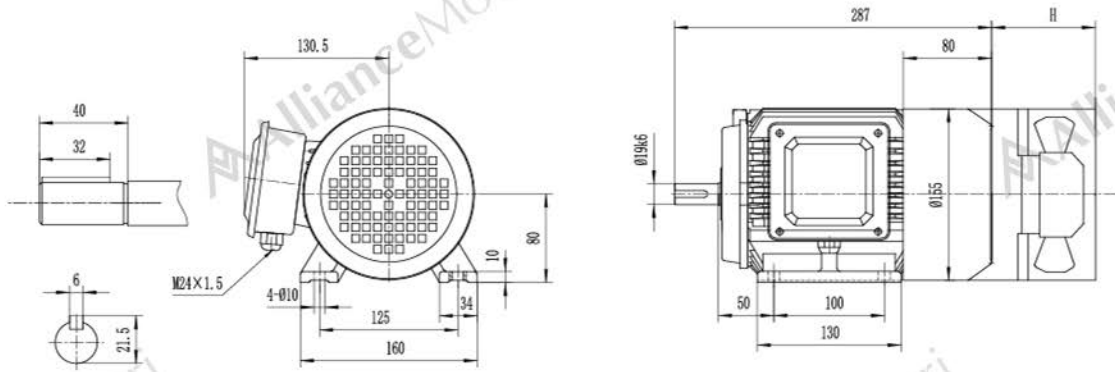
Model	Rated Power		Rated Speed	Efficiency 100%	Power Factor	Rated Current (A)			Rated Torque (NM)	Ts/Tn	Tmax/Tn	Is/In	Weight kg
	kW	HP				380V	400V	415V					
YE2-631-4	0.12	0.16	1310	59.1	0.72	0.4	0.41	0.39	0.87	2.1	2.2	6.4	4.0
YE2-632-4	0.18	0.24	1310	64.7	0.73	0.6	0.55	0.53	1.31	2.1	2.2	6.4	4.5
YE2-711-4	0.25	0.34	1330	68.5	0.74	0.7	0.71	0.69	1.80	2.1	2.2	6.4	6.5
YE2-712-4	0.37	0.5	1330	72.7	0.75	1.0	0.98	0.94	2.66	2.1	2.2	6.4	7.5
YE2-801-4	0.55	0.75	1390	77.1	0.75	1.4	1.37	1.32	3.75	2.3	2.3	5.2	14
YE2-802-4	0.75	1	1390	79.6	0.76	1.9	1.79	1.72	5.12	2.4	2.5	5	15
YE2-90S-4	1.1	1.5	1400	81.4	0.77	2.7	2.53	2.44	7.3	2.4	2.5	6	19
YE2-90L-4	1.5	2	1400	82.8	0.78	3.5	3.35	3.23	9.91	2.7	3	6.8	22
YE2-100L1-4	2.2	3	1430	84.3	0.80	5.0	4.71	4.54	14.6	2.7	3	7	30
YE2-100L2-4	3	4	1430	85.5	0.81	6.6	6.25	6.03	19.9	2.6	2.8	7	33
YE2-112M-4	4	5.5	1440	86.6	0.81	8.7	8.23	7.93	26.4	2.6	2.8	7.5	41
YE2-132S-4	5.5	7.5	1440	87.7	0.82	11.6	11.04	10.64	36.1	2.2	2.8	6.4	56
YE2-132M-4	7.5	10	1440	88.7	0.83	15.5	14.70	14.17	49.2	2.2	2.8	7	67
YE2-160M-4	11	15	1460	89.8	0.83	22.4	21.30	20.53	72	2.1	2.8	6.9	101
YE2-160L-4	15	20	1460	90.6	0.84	29.9	28.45	27.42	98.1	2.1	2.8	7.5	132
YE2-180M-4	18.5	25	1470	91.2	0.85	36.3	34.45	33.20	120.2	2.1	2.8	7.8	140
YE2-180L-4	22	30	1470	91.6	0.85	42.9	40.78	39.31	142.9	2.1	2.8	7.5	160
YE2-200L-4	30	40	1470	92.3	0.85	58.1	55.19	53.20	194.9	2	2.5	7.1	222
YE2-225S-4	37	50	1480	92.7	0.86	70.5	66.99	64.57	238.8	2	2.5	7.5	272
YE2-225M-4	45	60	1480	93.1	0.86	85.4	81.13	78.19	290.4	2	2.5	7.6	296
YE2-250M-4	55	75	1480	93.5	0.86	103.9	98.73	95.16	354.9	1.8	2.2	7.3	372
YE2-280S-4	75	100	1480	94.0	0.87	139.3	132.38	127.59	484	1.8	2.2	7.6	546
YE2-280M-4	90	125	1480	94.2	0.88	165.0	156.71	151.05	580.7	1.8	2.2	7.5	638
YE2-315S-4	110	150	1485	94.5	0.89	198.7	188.78	181.96	707.4	1.8	2.2	7.1	939
YE2-315M-4	132	180	1485	94.7	0.89	238.0	226.06	217.89	848.9	1.8	2.2	7.3	1033
YE2-315L1-4	160	200	1485	94.9	0.90	284.6	270.40	260.62	1029	1.8	2.2	7.4	1126
YE2-315L2-4	200	270	1485	95.1	0.90	355.0	337.29	325.10	1286.2	1.8	2.2	7.6	1229
YE2-355M-4	250	340	1490	95.1	0.90	443.8	421.61	406.37	1602.3	1.8	2.2	7.5	1670
YE2-355L-4	315	430	1490	95.1	0.90	559.2	531.23	512.03	2019	1.8	2.2	7.4	2848

PARAMETERS

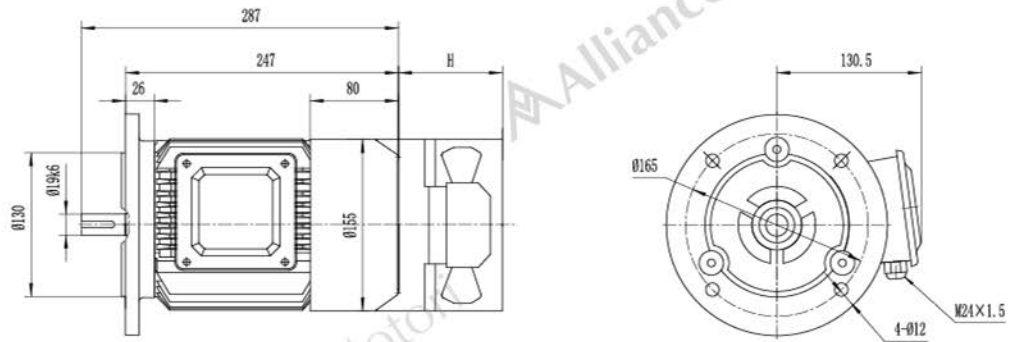
Model	Rated Power		Rated Speed	Efficiency 100%	Power Factor	Rated Current (A)			Rated Torque (NM)	Ts/Tn	Tmax/Tn	Is/In	Weight kg
	kW	HP				380V	400V	415V					
YE2-711-6	0.18	0.24	850	56.6	0.66	0.7	0.70	0.67	2.02	1.9	2.0	5.8	6.0
YE2-712-6	0.25	0.34	850	61.6	0.68	0.9	0.86	0.83	2.81	1.9	2.0	5.8	7.5
YE2-801-6	0.37	0.5	885	67.6	0.70	1.2	1.13	1.09	4	1.9	2	4.7	14
YE2-802-6	0.55	0.75	885	73.1	0.72	1.6	1.51	1.45	5.9	1.9	2.1	4.7	16
YE2-90S-6	0.75	1	934	75.9	0.71	2.1	2.01	1.94	7.7	2	2.1	5.8	19
YE2-90L-6	1.1	1.5	945	78.1	0.72	3.0	2.82	2.72	11.1	2	2.1	5.9	21
YE2-100L-6	1.5	2	945	79.8	0.72	4.0	3.77	3.63	15.2	2	2.1	5.9	30
YE2-112M-6	2.2	3	960	81.8	0.72	5.7	5.39	5.20	21.9	2	2.1	6.2	40
YE2-132S-6	3	4	964	83.3	0.72	7.6	7.22	6.96	29.74	2	2.1	6.4	56
YE2-132M1-6	4	5.5	965	84.6	0.74	9.7	9.22	8.89	39.6	2	2.1	6.6	64
YE2-132M2-6	5.5	7.5	965	86.0	0.75	13.0	12.31	11.86	54.4	2	2.1	6.8	75
YE2-160M-6	7.5	10	970	87.2	0.78	16.8	15.92	15.34	73.8	2	2.1	6.8	94
YE2-160L-6	11	15	970	88.7	0.79	23.9	22.66	21.84	108.3	2	2.1	6.9	118
YE2-180L-6	15	20	975	89.7	0.82	31.0	29.44	28.37	146.9	2	2.1	7.3	152
YE2-200L1-6	18.5	25	980	90.4	0.80	38.9	36.92	35.59	180.3	2	2.1	7.2	198
YE2-200L2-6	22	30	980	90.9	0.81	45.4	43.13	41.57	214.4	2	2.1	7.3	212
YE2-225M-6	30	40	980	91.7	0.82	60.6	57.59	55.51	292.3	2	2.1	6.8	280
YE2-250M-6	37	50	980	92.2	0.83	73.5	69.79	67.27	360.6	2	2.1	7	358
YE2-280S-6	45	60	980	92.7	0.85	86.8	82.43	79.45	438.5	2	2	7.2	489
YE2-280M-6	55	75	980	93.1	0.86	104.4	99.15	95.57	536	2	2	7.2	550
YE2-315S-6	75	100	985	93.7	0.84	144.8	137.54	132.57	727.2	2	2	6.5	838
YE2-315M-6	90	125	985	94.0	0.85	171.1	162.59	156.71	872.6	2	2	6.6	941
YE2-315L1-6	110	150	985	94.3	0.85	208.5	198.09	190.93	1066.5	2	2	6.6	986
YE2-315L2-6	132	180	985	94.6	0.86	246.5	234.19	225.73	1279.8	2	2	6.6	1121
YE2-355M1-6	160	200	990	94.8	0.86	298.2	283.27	273.03	1543.4	2	2	6.7	1650
YE2-355M2-6	200	270	990	95.0	0.86	371.9	353.35	340.57	1929.3	2	2	6.8	1752
YE2-355L-6	250	340	990	95.0	0.86	464.9	441.68	425.72	2411.6	2	2	6.8	1990

YE2(YVP YEJ YPEJ)-80 Standard motor installation position and dimension drawing

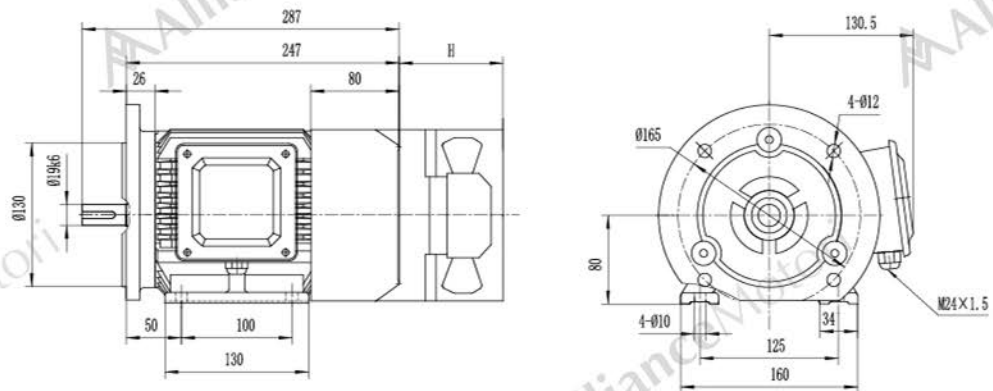
IM:B3



IM:B5



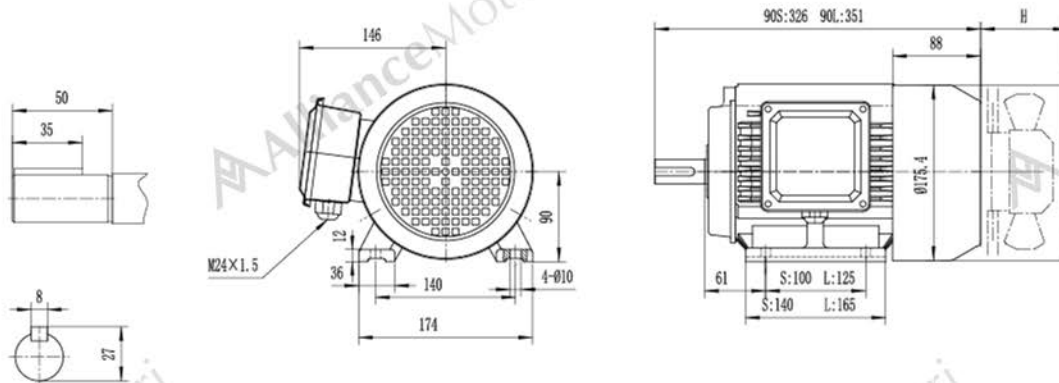
IM:B35



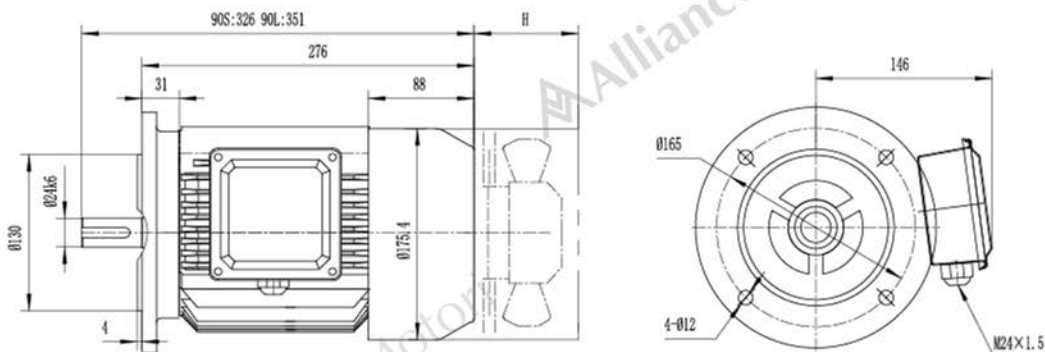
Motor type	YEJ	YVP	YPEJ
H-Motor (hood) lengthened size	53	55	150

YE2(YVP YEJ YPEJ)-90 Standard motor installation position and dimension drawing

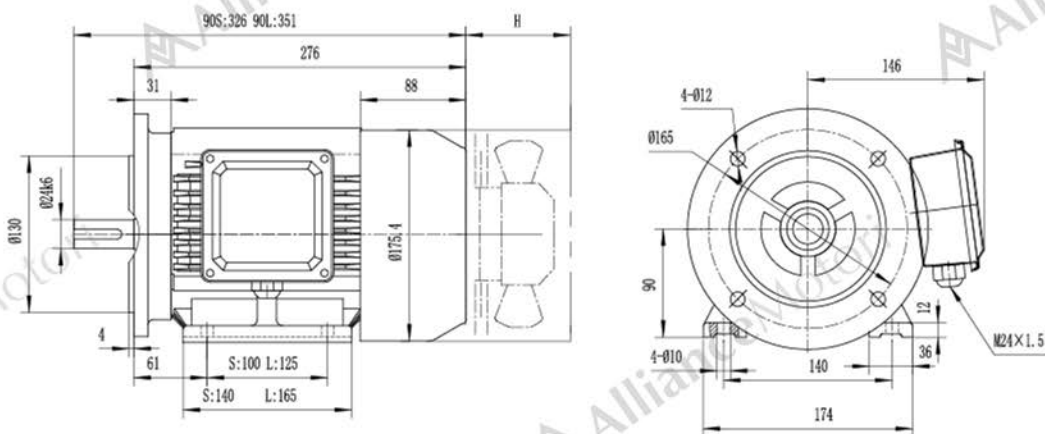
IM:B3



IM:B5



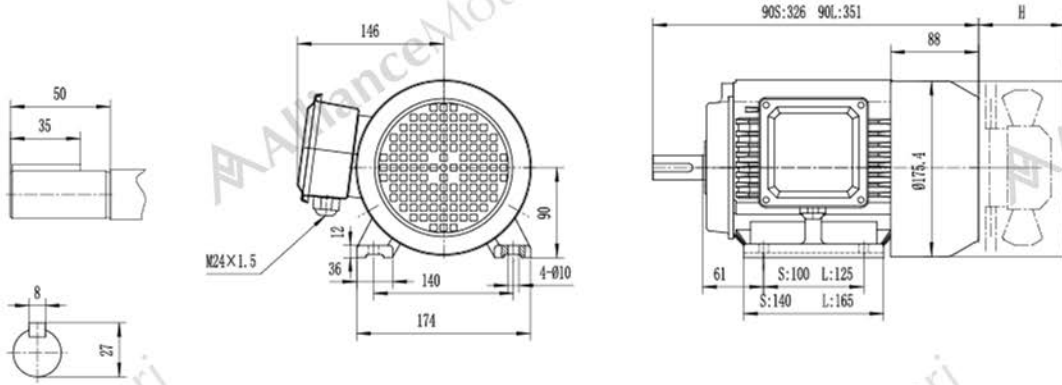
IM:B35



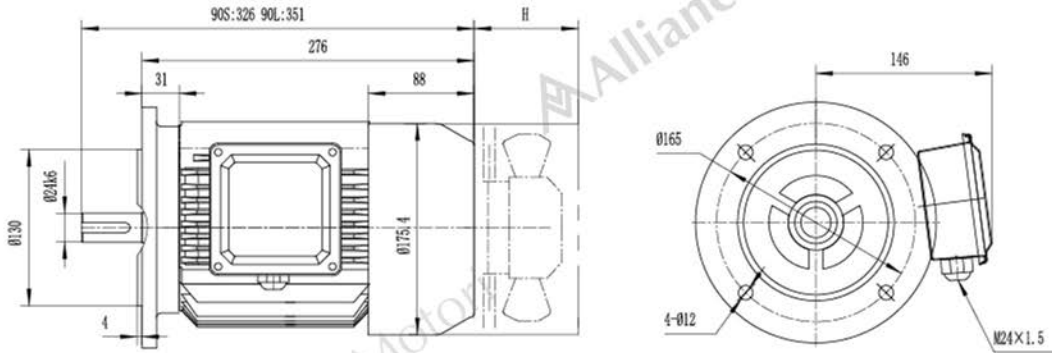
Motor type	YEJ	YVP	YPEJ
H-Motor (hood) lengthened size	66	65	139

YE2(YVP YEJ YPEJ)-90 Standard motor installation position and dimension drawing

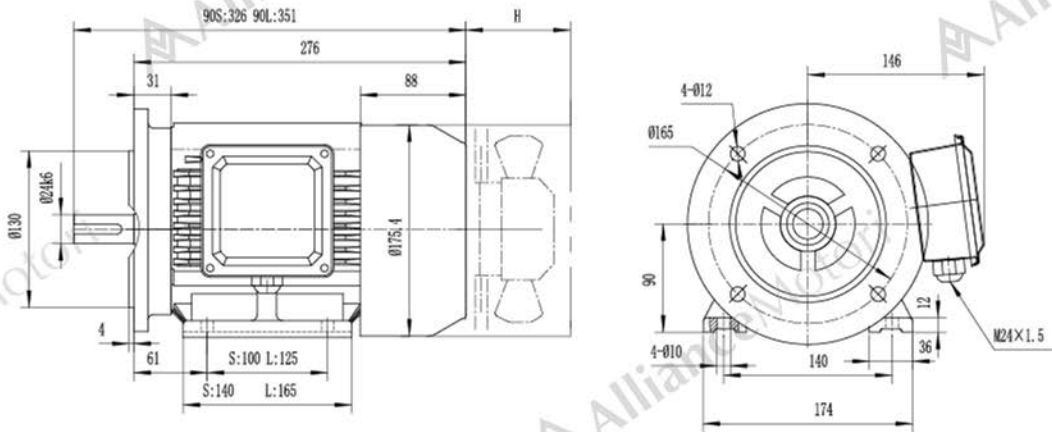
IM:B3



IM:B5



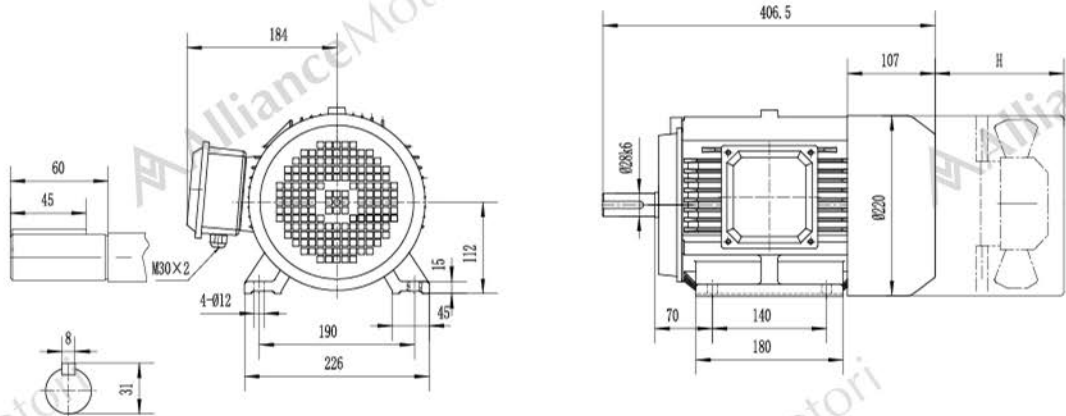
IM:B35



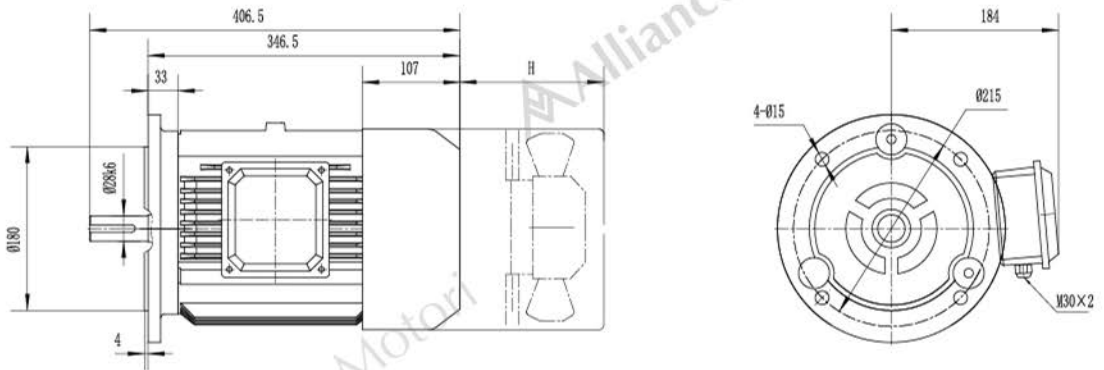
Motor type	YEJ	YVP	YPEJ
H-Motor (hood) lengthened size	66	65	139

YE2(YVP YEJ YPEJ)-112 Standard motor installation position and dimension drawing

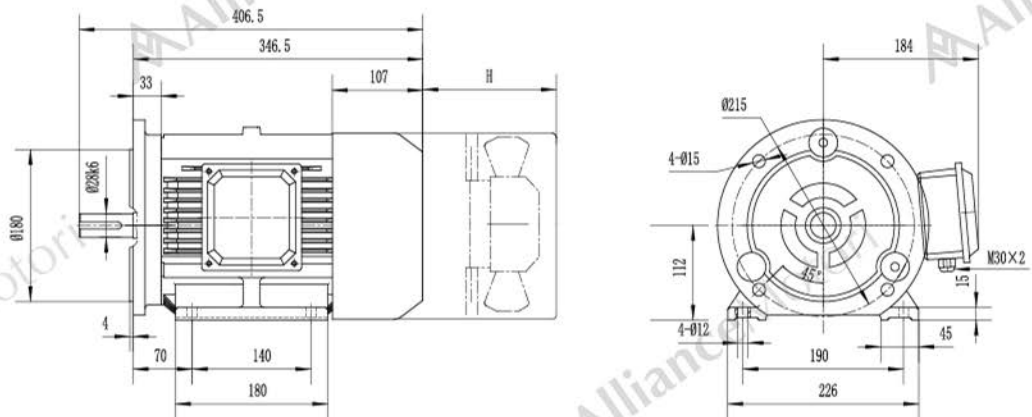
IM:B3



IM:B5



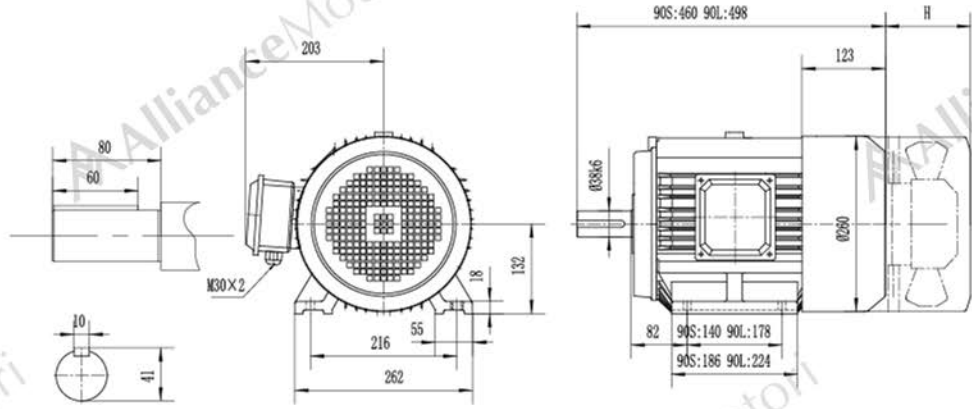
IM:B35



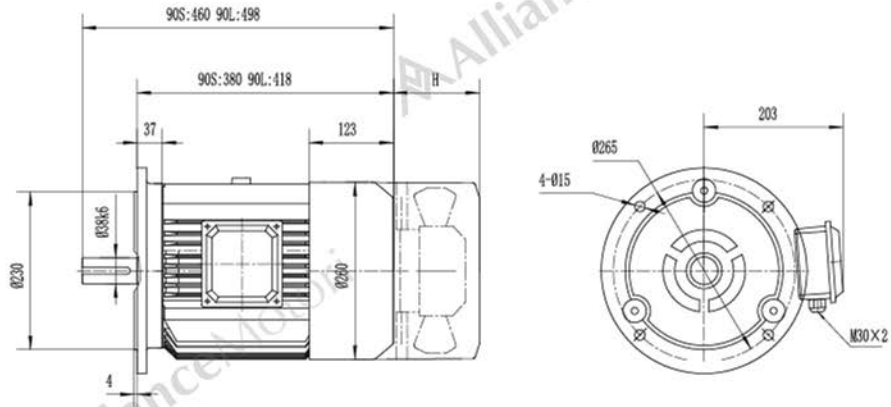
Motor type	YEJ	YVP	YPEJ
H-Motor (hood) lengthened size	68	60	130

YE2(YVP YEJ YPEJ)-132 Standard motor installation position and dimension drawing

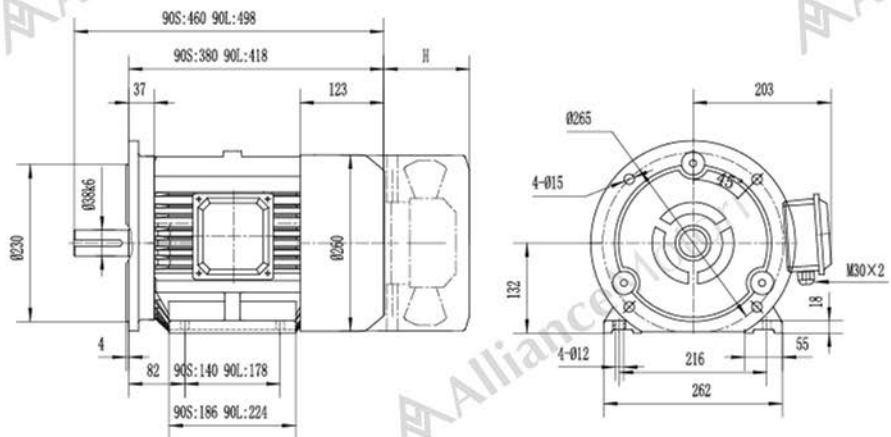
IM:B3



IM:B5



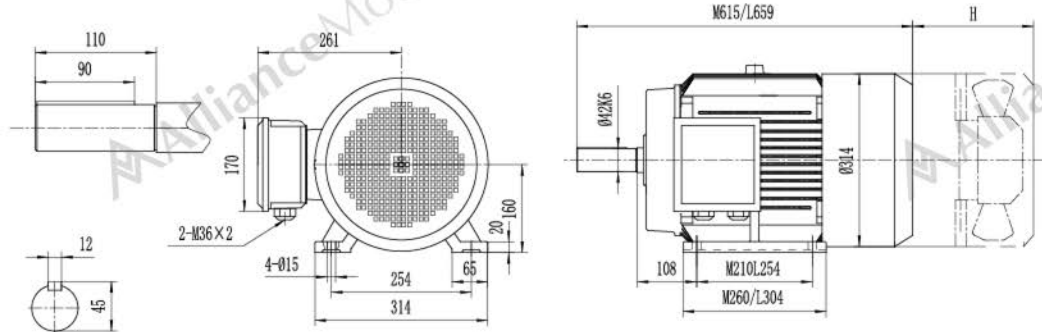
IM:B35



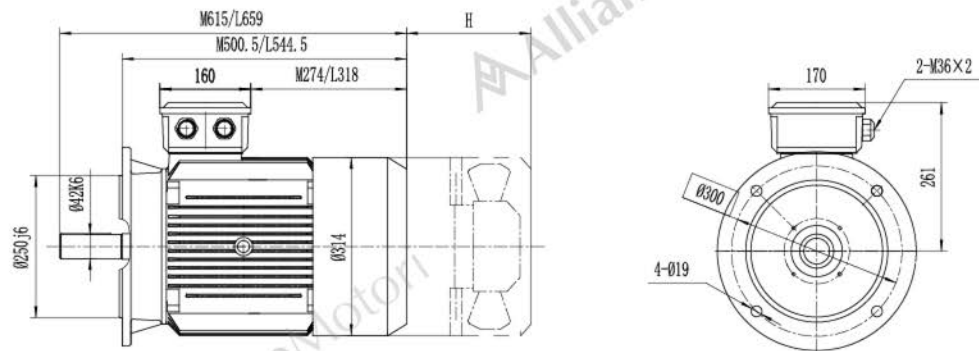
Motor type	YEJ	YVP	YPEJ
H-Motor (hood) lengthened size	67	62	57

YE2(YVP YEJ YPEJ)-160 Standard motor installation position and dimension drawing

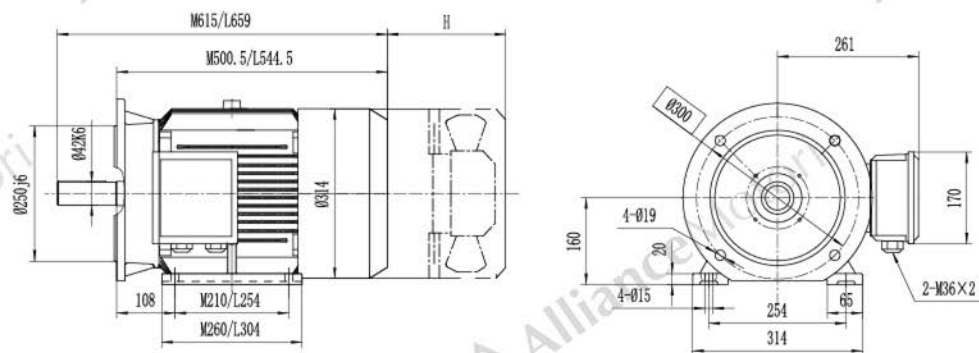
IM:B3



IM:B5



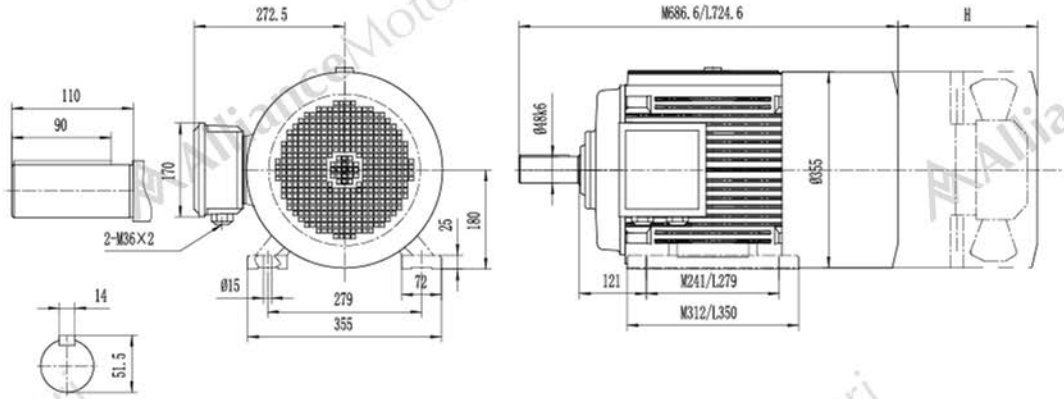
IM:B35



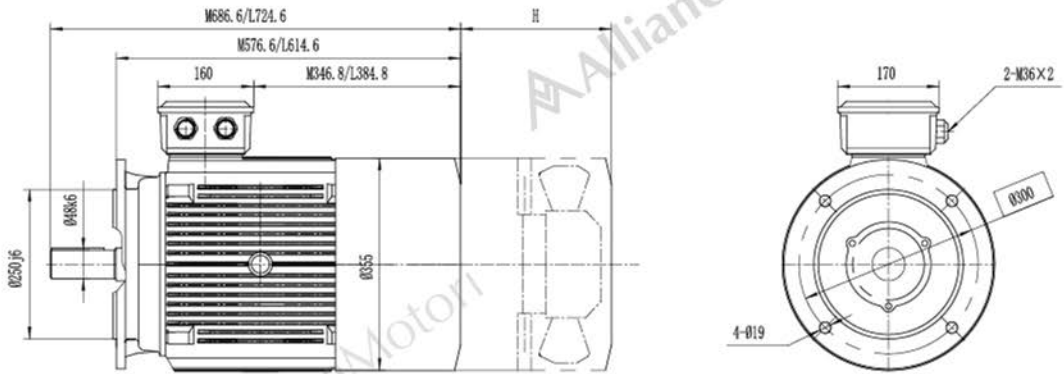
Motor type	YEJ	YVP	YPEJ
H-Motor (hood) lengthened size	98	35	133

YE2(YVP YEJ YPEJ)-180 Standard motor installation position and dimension drawing

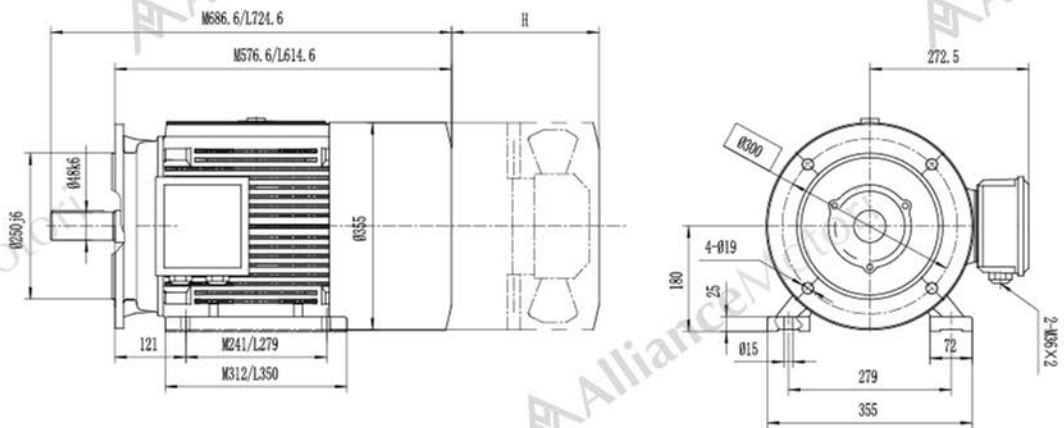
IM:B3



IM:B5



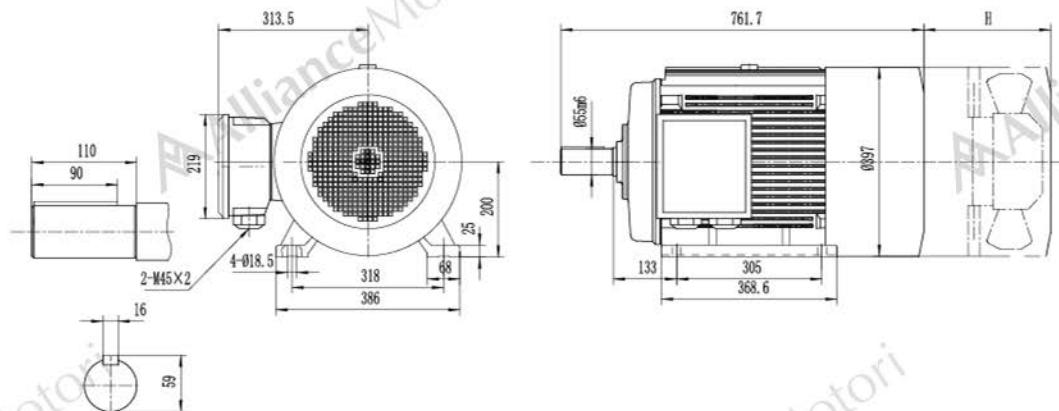
IM:B35



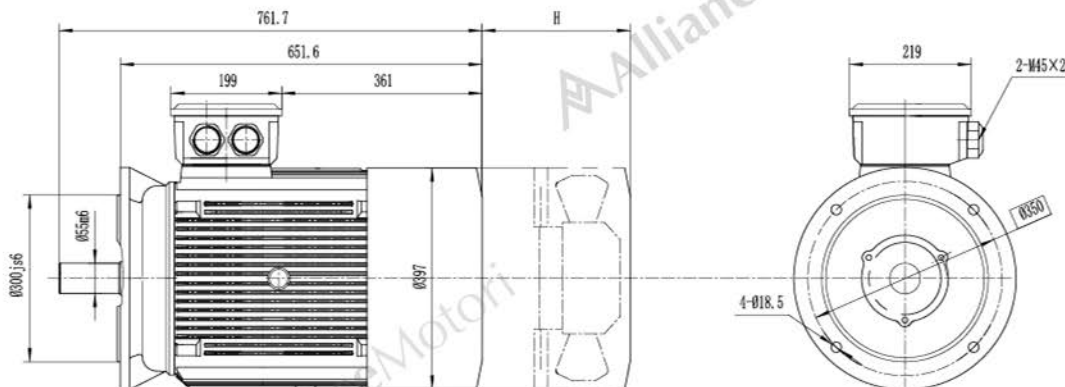
Motor type	YEJ	YVP	YPEJ
H-Motor (hood) lengthened size	114	25	139

YE2(YVP YEJ YPEJ)-200 Standard motor installation position and dimension drawing

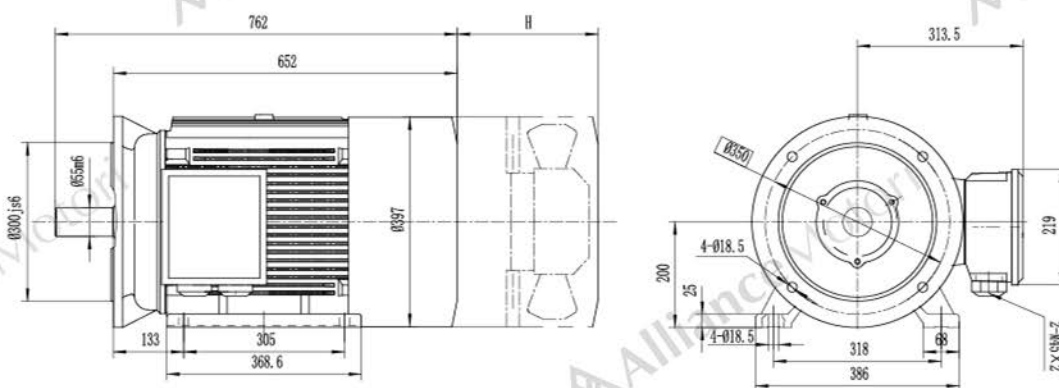
IM:B3



IM:B5



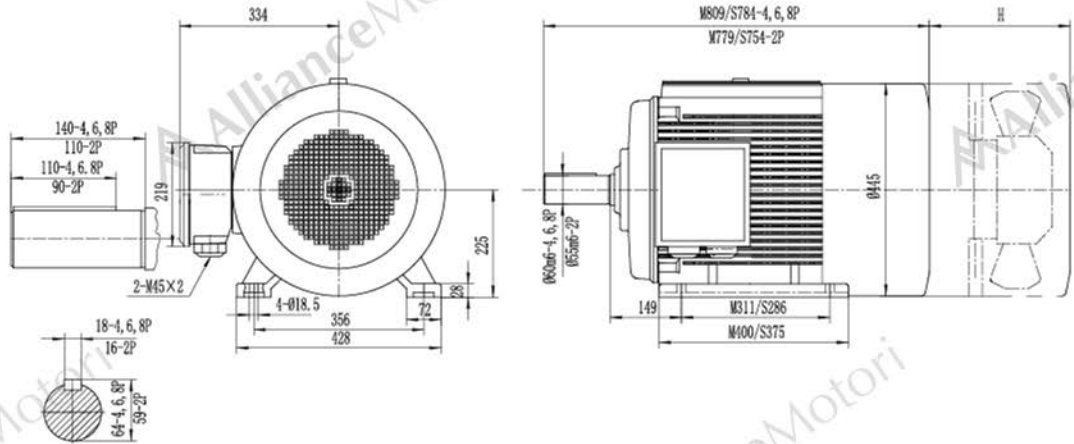
IM:B35



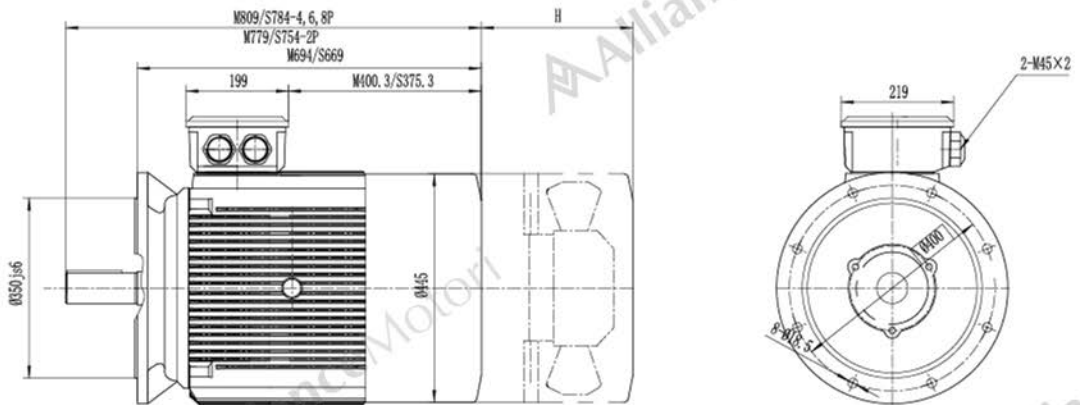
Motor type	YEJ	YVP	YPEJ
H-Motor (hood) lengthened size	124	40	164

YE2(YVP YEJ YPEJ)-225 Standard motor installation position and dimension drawing

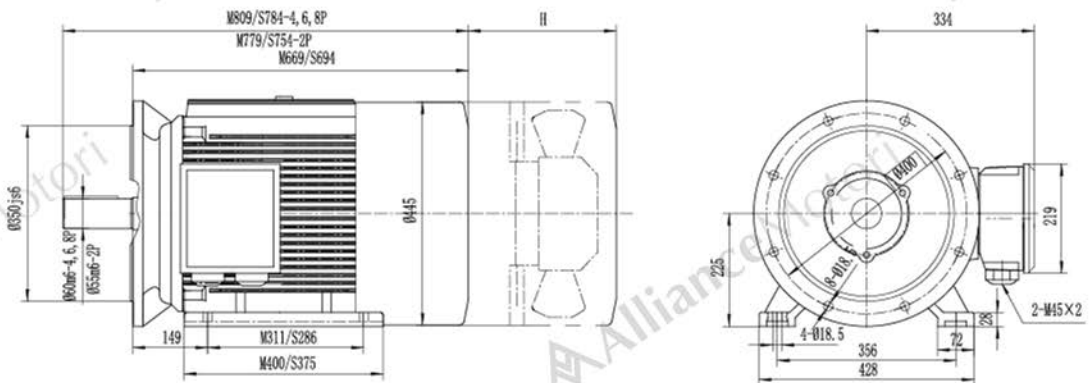
IM:B3



IM:B5



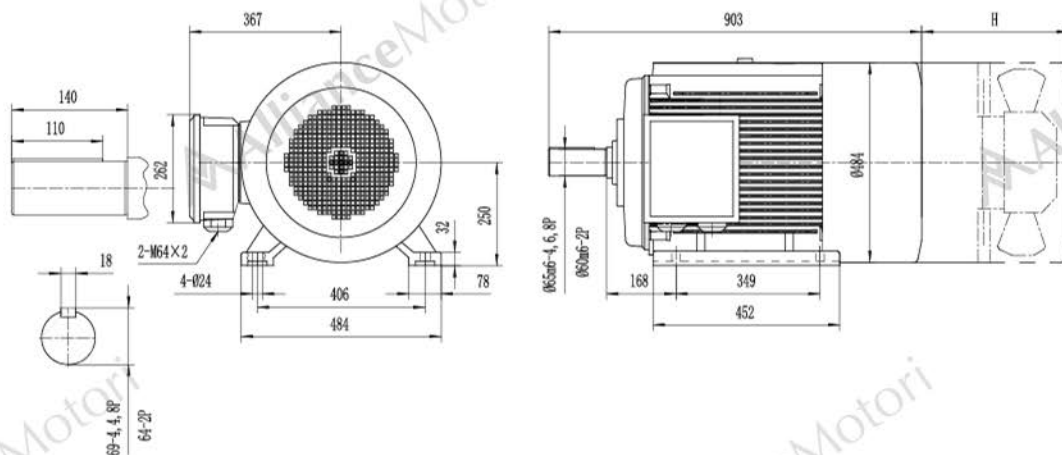
IM:B35



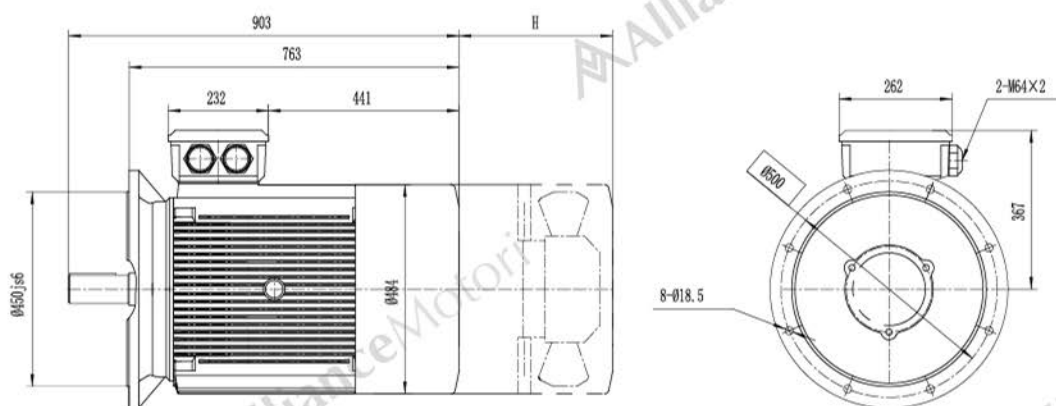
Motor type	YEJ	YVP	YPEJ
H-Motor (hood) lengthened size	142	55	182

YE2(YVP YEJ YPEJ)-250 Standard motor installation position and dimension drawing

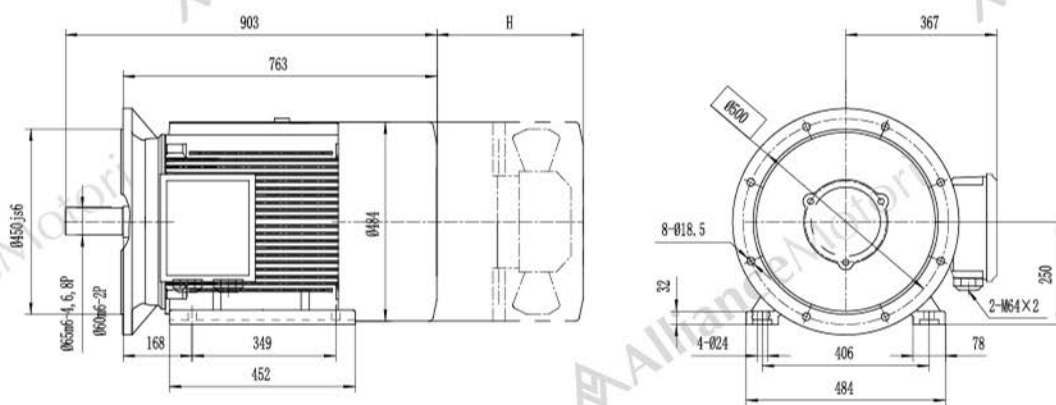
IM:B3



IM:B5



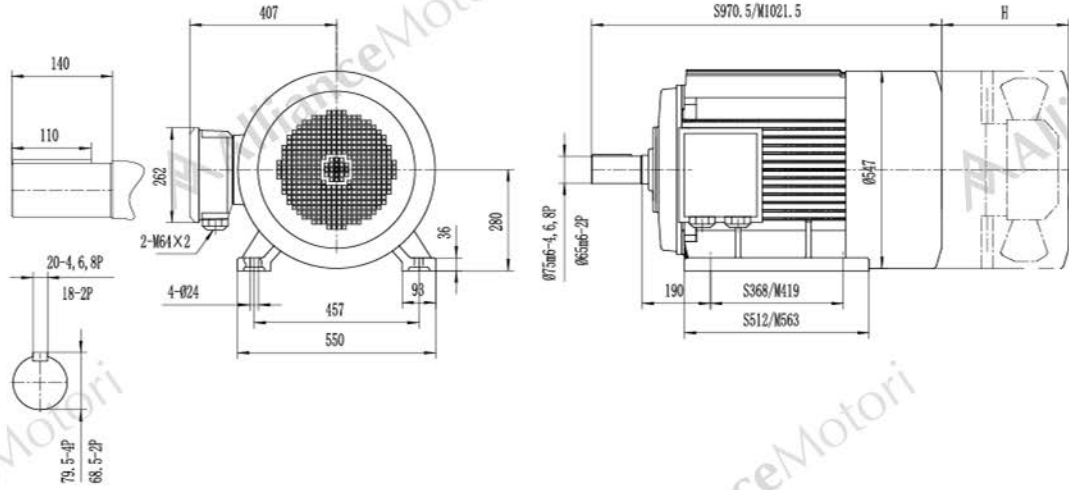
IM:B35



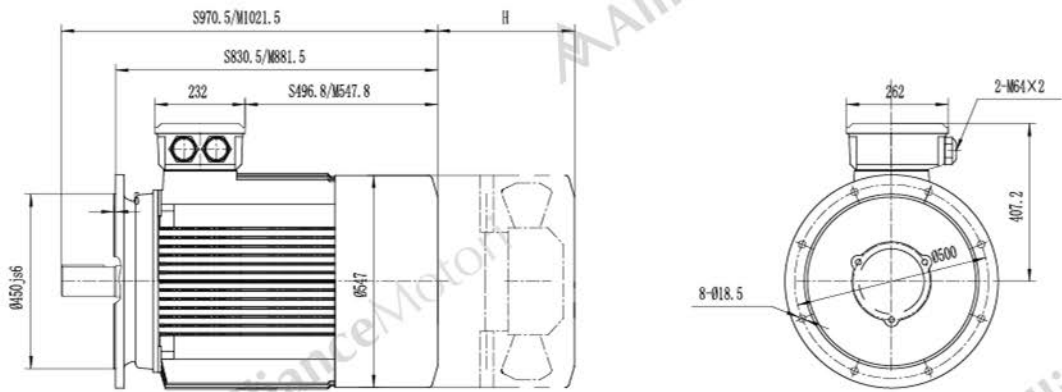
Motor type	YEJ	YVP	YPEJ
H-Motor (hood) lengthened size	153	46	199

YE2(YVP YEJ YPEJ)-280 Standard motor installation position and dimension drawing

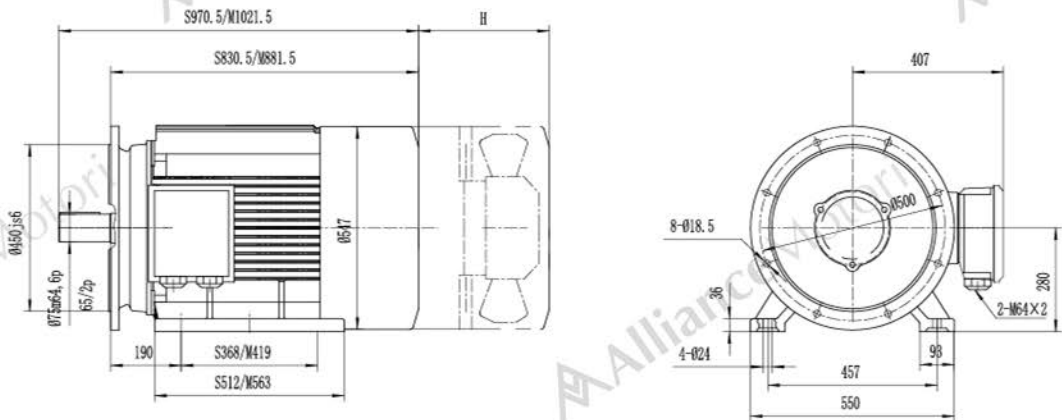
IM:B3



IM:B5

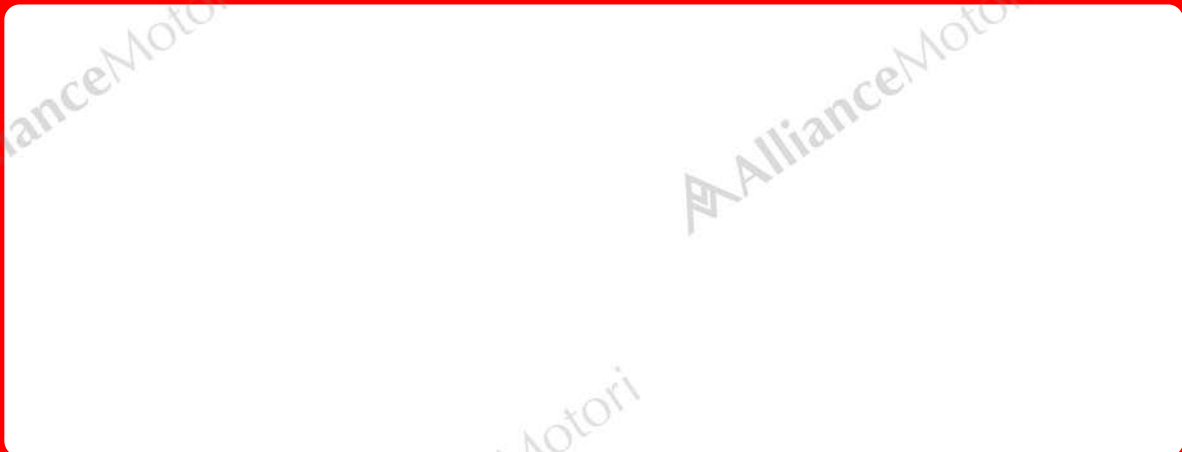


IM:B35



Motor type	YEJ	YVP	YPEJ
H-Motor (hood) lengthened size	156	45	201

AllianceMotori



The company has an experienced technical operation team with more than 30 years of experience in industrial motor design and implementation.